

**Audi 3.0 V6 TFSI engine
with Roots blower**

Self-Study Program 925803

Audi of America, LLC.

Service Training

Printed in U.S.A.

Printed 12/2008

Course Number 925803

©2008 Audi of America, LLC.

All rights reserved. All information contained in this manual is based on the latest information available at the time of printing and is subject to the copyright and other intellectual property rights of Audi of America, Inc., its affiliated companies, and its licensors. All rights are reserved to make changes at any time without notice. No part of this document may be reproduced, stored in a retrieval system, or transmitted in any form or by any means, electronic, mechanical, photocopying, recording, or otherwise, nor may these materials be modified or reposted to other sites without the prior expressed written permission of the publisher.

All requests for permission to copy and redistribute information should be referred to Audi of America, LLC.

Always check Technical Bulletins and the latest electronic repair literature for information that may supersede any information included in this booklet.

Trademarks: All brand names and product names used in this manual are trade names, service marks, trademarks, or registered trademarks and are the property of their respective owners.

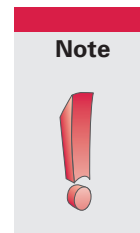
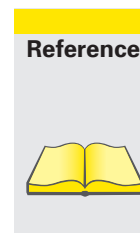
Table of Contents

Introduction	2	
Engine Mechanical	6	
Oil Supply	11	
Air Supply	12	
Cooling System	32	
Exhaust Emission Treatment	38	
Fuel System	42	
Engine Management	44	
Service.	48	
Glossary	49	
Summary	50	

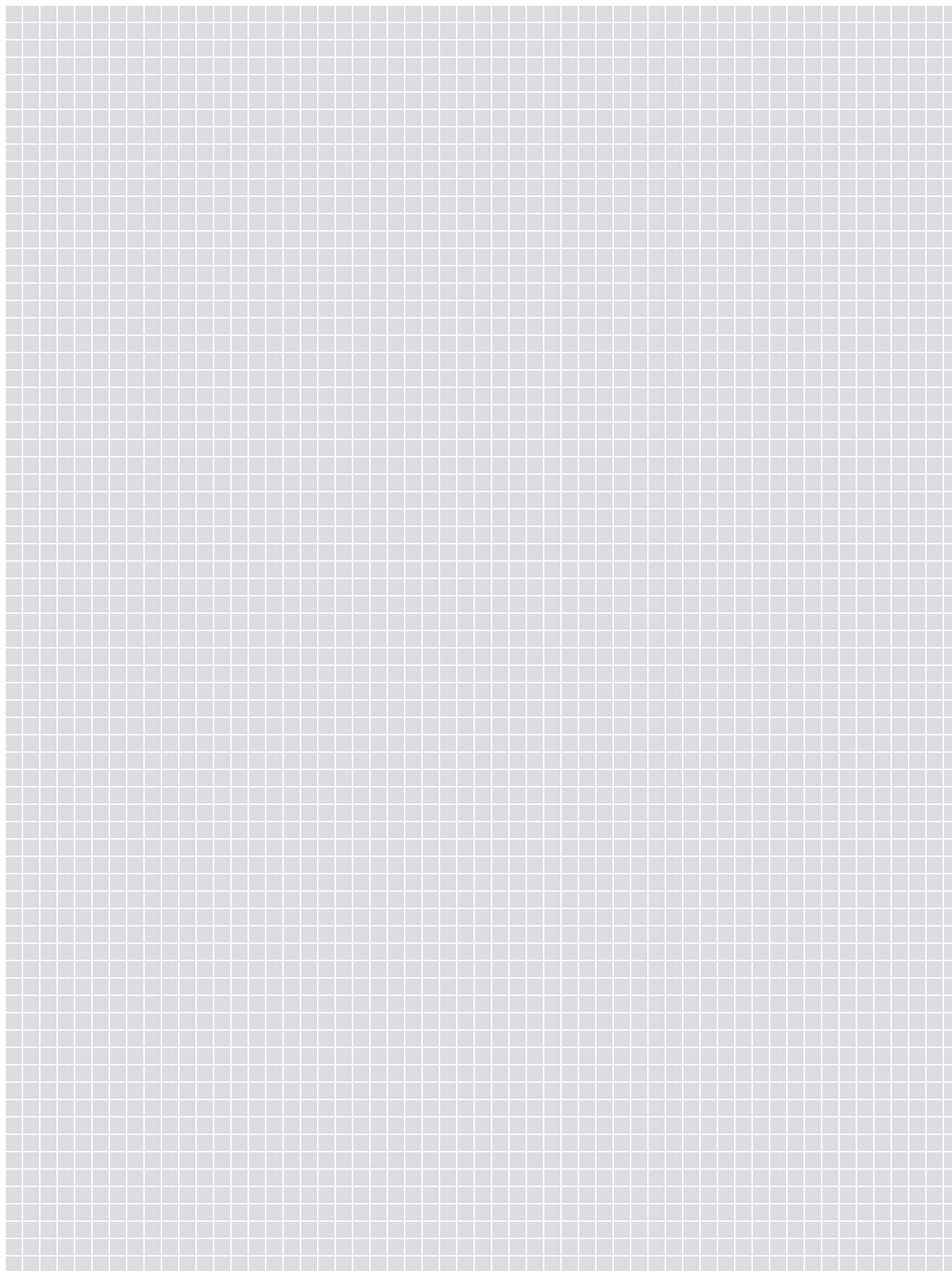
The Self-Study Program teaches the design and function of new vehicle models, automotive components and technologies.

The Self-Study Program is not a Repair Manual!
The values given are only intended as a guideline. Refer to the software version valid at the time of publication of the SSP.

For maintenance and repair work, always refer to the current technical literature.



Notes



For the first time, Audi has brought to market a mechanically supercharged powerplant: the 3.0l V6 TFSI. This Roots blower supercharged engine is based on the 3.2l V6 naturally aspirated engine from the current Audi V-engine family. By embracing new technology, in combination with the FSI combustion process, Audi has developed an engine concept that has impressive compact design, acoustics, responsiveness and fuel efficiency.

The engine has a broad range of characteristics from comfort-oriented to ultra-sporty. The sporty version of the engine specifically targets US clientele. The car's so-called take-off behavior plays a key role to achieve the greatest possible acceleration between traffic lights in urban traffic.

With its enormous power the 3.0l V6 TFSI engine is also well suited to comfort-oriented driving. A wide range of uses have been envisioned for it within the Audi product portfolio. In Europe, China and the USA, it will be available beginning in the Fall of 2008 in the Audi A6.

Historically, mechanical supercharging using Roots blowers is nothing new to cars bearing the four-ring badge. In fact, Roots blowers were once used on the engines of the legendary AUTO UNION racing cars ("Silver Arrows"), which were powered by huge V engines with up to 16 cylinders supercharged by up to two Roots blowers. Between 1934 and 1939, the legendary AUTO UNION drivers spearheaded by Hans Stuck and Bernd Rosemeyer racked up numerous Grand Prix wins, not to mention setting a string of world speed records.



437_003

Introduction

Technical description

The 3.0l V6 TFSI engine will be used for the first time in the 2009 Audi A6.

Main technical features:

- Six-cylinder V engine with mechanical supercharging (technical basis: 3.2l V6 FSI engine)
- Fuel supply, activated carbon filter system, exhaust system (manifold for selective lambda control) and engine cooling system are identical to those of the 3.2l V6 FSI engine in terms of their geometry and position.
- Vacuum system with mechanical vacuum pump (identical to that of the 3.2l V6 FSI engine)

Main changes from the 3.2l V6 FSI engine:

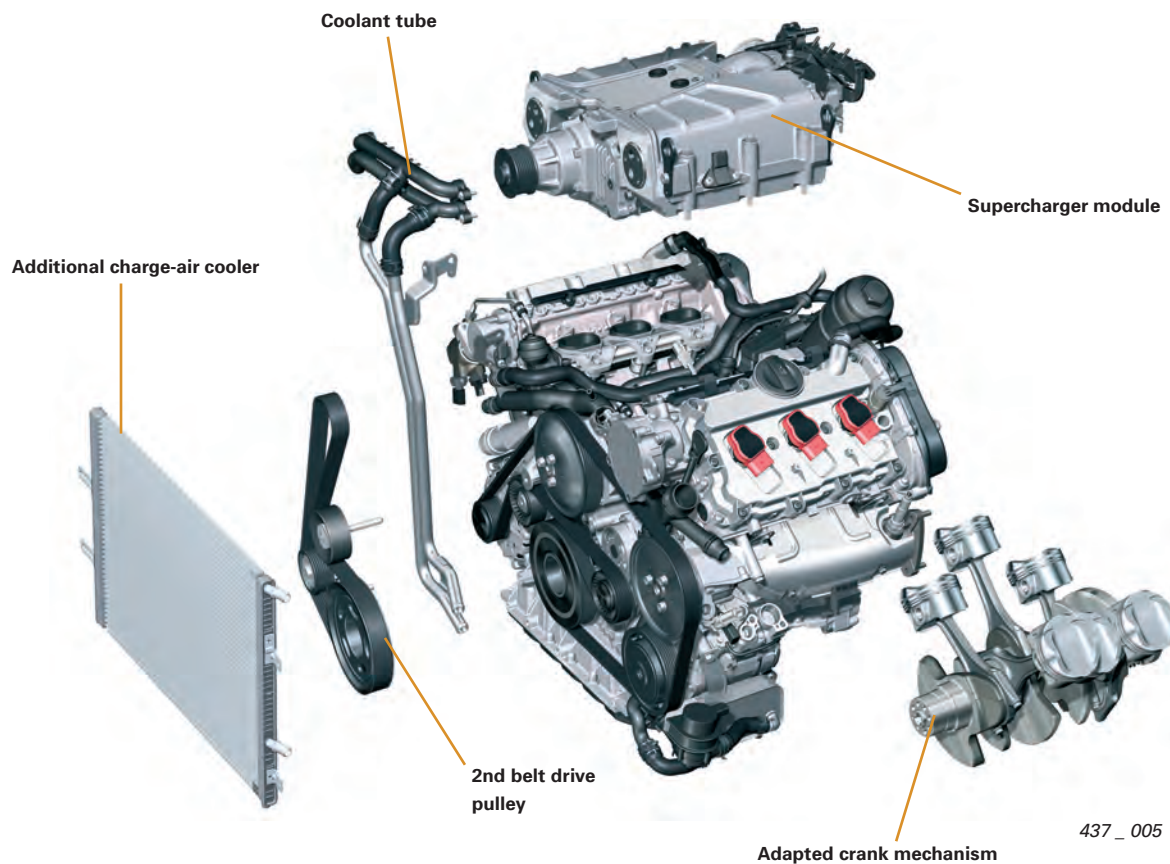
- Heat treated cylinder crankcase
- Crankshaft drive
- Supercharger module with integrated intercooling system
- Coolant pipes in the car's low-temperature circuit
- Belt drive for the supercharger module
- Engine management system with "Simos 8" control
- Secondary air system for compliance with the EU V and ULEV II exhaust emission standards

Adaptations from the 3.2l FSI engine:

- Intake system
- Camshafts
- Valves and valve springs
- Flange for the tumble flaps

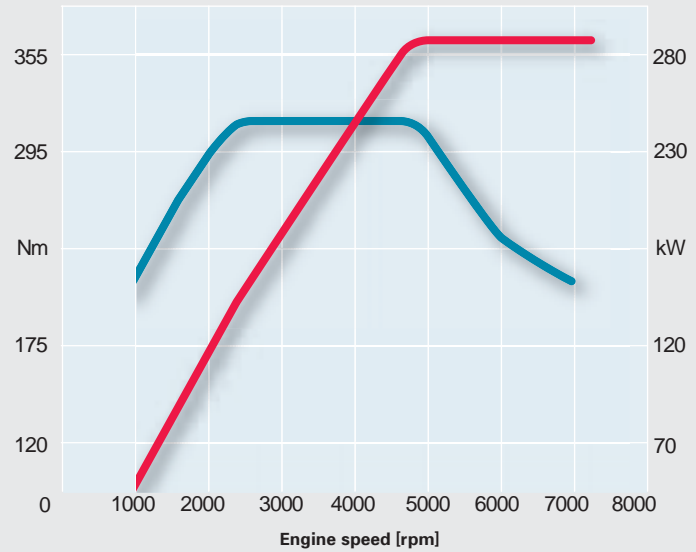
Deletions from the 3.2l FSI engine:

- Audi valvelift system
- Exhaust camshaft adjustment



Torque/power curve

- Max. torque in lb-ft
- Max. power in horsepower



Specifications

Engine code	CAJA/CCAA
Engine type	Six-cylinder V-engine
Displacement in cm³	2995
Max. power in hp (kW)	285 (213) at 4850 – 7000 rpm
Max. torque in lb-ft	310 at 2500 – 4850 rpm
Valves per cylinder	4
Bore in mm	84.5
Stroke in mm	89
Compression ratio	10.5 : 1
Firing order	1-4-3-6-2-5
Engine weight	418 lbs (190 kg)
Engine management	Simos 8
Fuel grade	Premium unleaded
Mixture formation	Direct injection FSI (homogeneous) High-pressure fuel pump HDP 3
Exhaust emission standard	EU V, ULEV II
Exhaust aftertreatment	Cylinder-selective lambda control with one broadband pre-cat sensor per cylinder bank, two ceramic catalytic converters with post-cat oxygen sensor (nonlinear sensor)
CO₂ emissions in g/km	228

Introduction

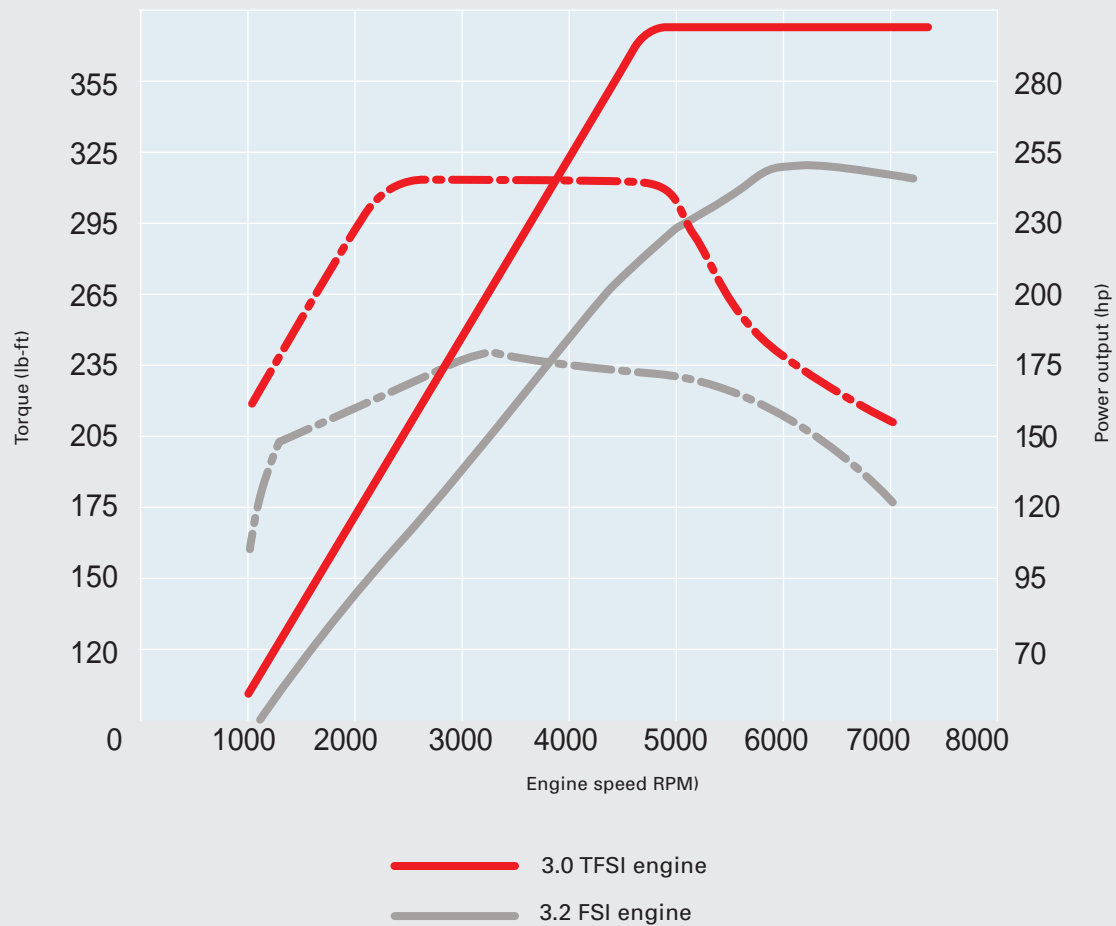
Characterization

Although the 3.0l V6 TFSI engine does not have the largest displacement of the Audi V6 engine family, it sets the benchmark for power output.

This is also reflected in its performance, where the engine outstrips the equivalent naturally aspirated 3.2l V6 FSI unit.

The same goes for economy, i.e. fuel consumption and exhaust emissions. In the figure, you are shown a comparison of the full-throttle curves of the V6 FSI engines installed on the Audi A6.

Torque/power curves of the V6 FSI engine



Introduction

Specifications of the V6 engines on the Audi A6

Parameter	3.2l FSI	3.0l TFSI
Displacement in cm ³	3123	2995
Stroke in mm	92.8	89
Bore in mm	84.5	84.5
Stroke/bore	1.10	1.05
Compression ratio	12.5 : 1	10.5 : 1
Cylinder spacing in mm	90	90
Cyl. bank offset in mm	18.5	18.5
Main bearing diameter in mm	65	65
Big-end bearing diameter in mm	56	56
Con-rod length in mm	154	153
Engine block height in mm	228	228
Max. power in hp at rpm	250 at 6500	285 at 4800 – 7000
Max. torque in lb-ft at rpm	245 at 3250	310 at 2500 – 4850
Fuel in Octane	87/91 ¹⁾	87/91 ¹⁾

1) with reduced power output

Comparison of performance data: 3.2l V6 FSI engine and 3.0l V6 TFSI engine on the Audi A6

Parameter	Units	Audi A6 3.2l FSI 250 hp/245 lb-ft tiptronic quattro Model year 2008	Audi A6 3.0l TFSI 285 hp/310 lb-ft tiptronic quattro Model year 2009
		0 – 62 mph (100 kph)	S
Elasticity in speed D	mph (kph)	50 - 75 (80 – 120)	50 - 75 (80 – 120)
	S	6.0	5.3
Max. speed	mph (kph)	155 (250) ²⁾	155 (250) ²⁾
	rpm / gear	6350 / 5	4500 / 6
Average consumption (overall)	mpg (l/100 km)	21.6 (10.9)	24.5 (9.6)
CO ₂ emissions	g/km	259	228

2) governed

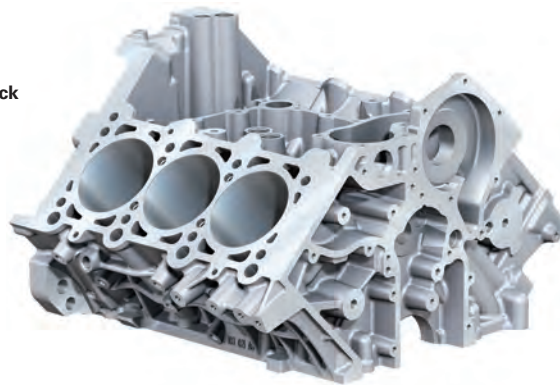
Engine Mechanical

Cylinder block

The cylinder block is identical to that of the 3.2l V6 FSI engine. However, the load on the engine is higher due to the increased mean peak pressure (combustion pressure).

To ensure high stability, the bearing seats undergo a special heat treatment process during manufacturing. Also, higher strength main bearing bolts are used.

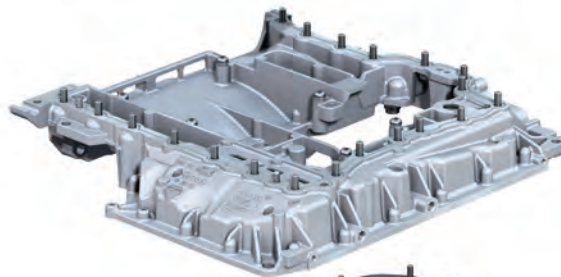
Cylinder block



Cylinder crankcase
bottom section (bedplate)



Oil pan top section



Oil pan bottom section



Crankshaft drive

Crankshaft

The crankshaft has been adapted for a stroke of 89 mm. Like the 3.2l V6 FSI engine, the crankshaft has a split-pin configuration* (see glossary).

The newly developed, cracked con-rods* are 153 mm long and optimised for strength. All bearing bushings are lead-free 3-component composite bearing bushings.



437_008

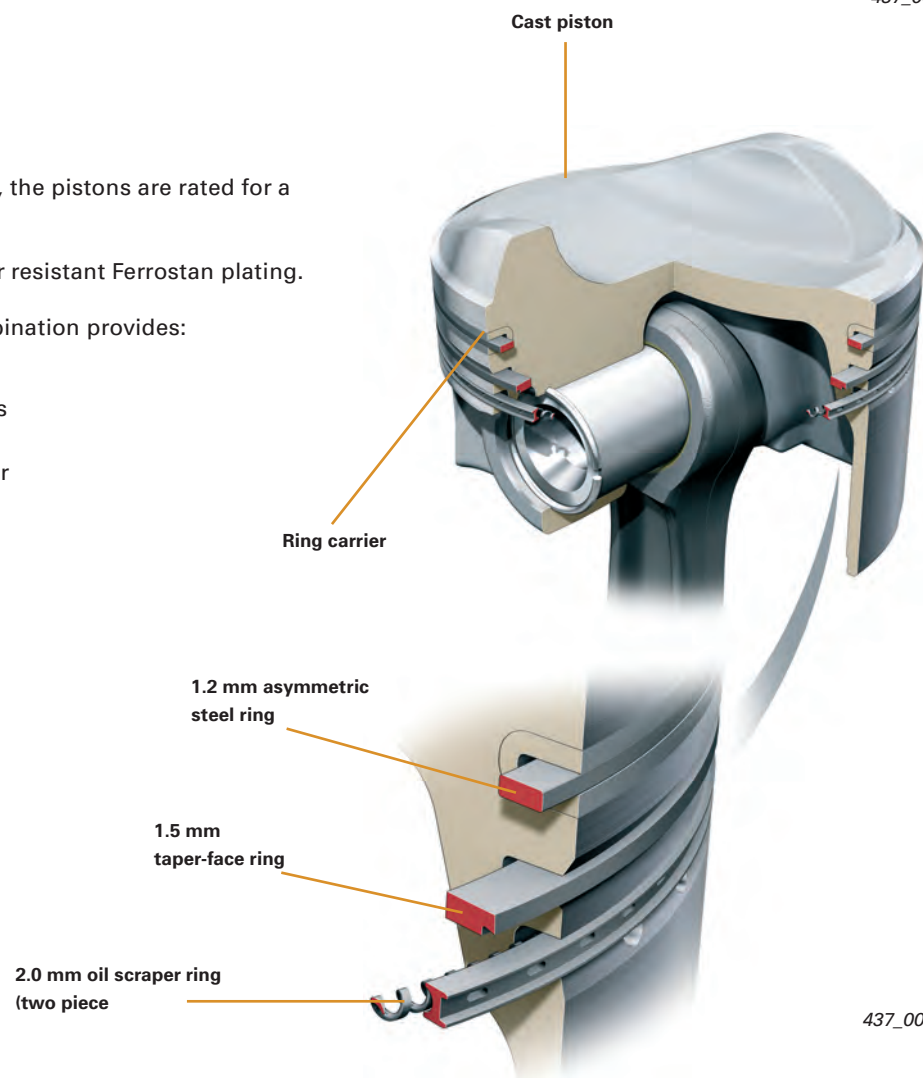
Pistons

Unlike the 3.2l V6 FSI engine, the pistons are rated for a compression ratio of 10.5:1.

The piston skirts have a wear resistant Ferrostan plating.

The special piston ring combination provides:

- High power output
- Low blow-by gas flow rates
- Low oil consumption
- Minimum friction and wear



437_009

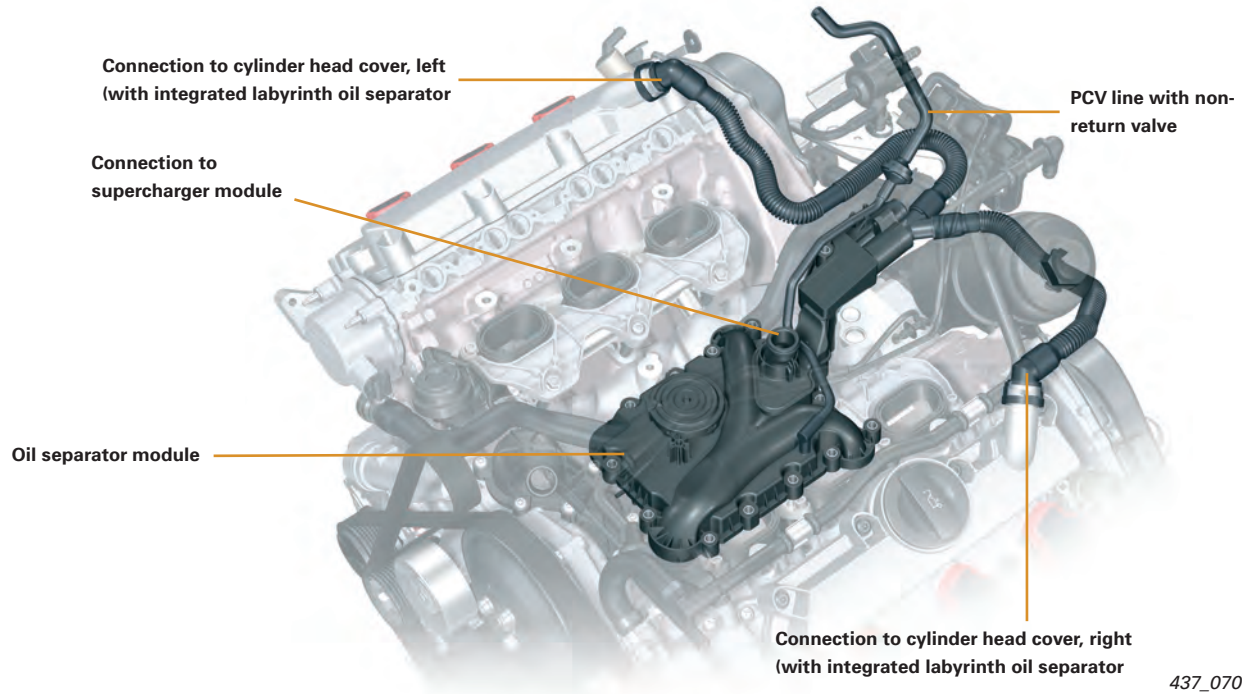
7

Engine Mechanical

Crankcase ventilation

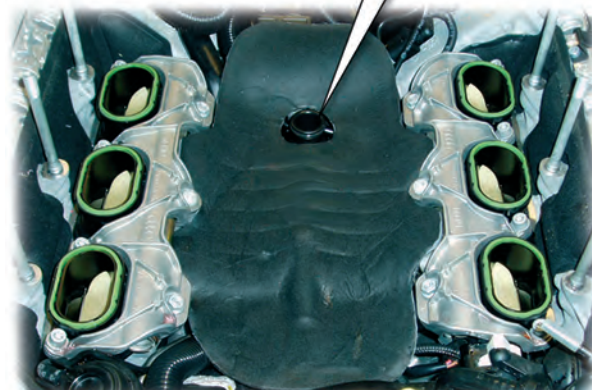
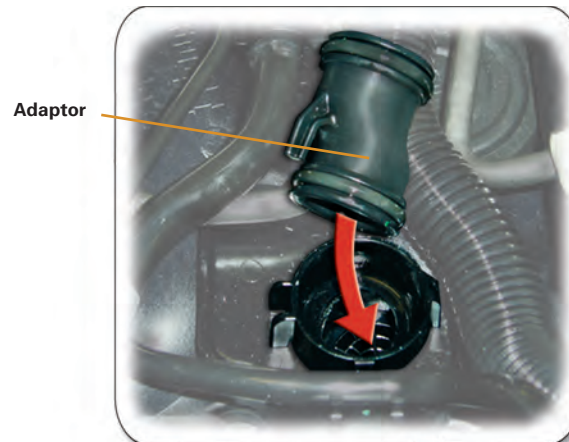
The crankcase is ventilated in the same way as the 3.2L V6 FSI engine.

The treated crankcase ventilation gases follow the shortest possible route from the V chamber.



Connection to supercharger module

The blow-by gases* are introduced into the supercharger module from below. An adaptor seals the feeder line off from the supercharger module. The opening in the supercharger module is tapered to aid inserting the adaptor. The adaptor has a lug which can be used to position it exactly at the PCV outlet.

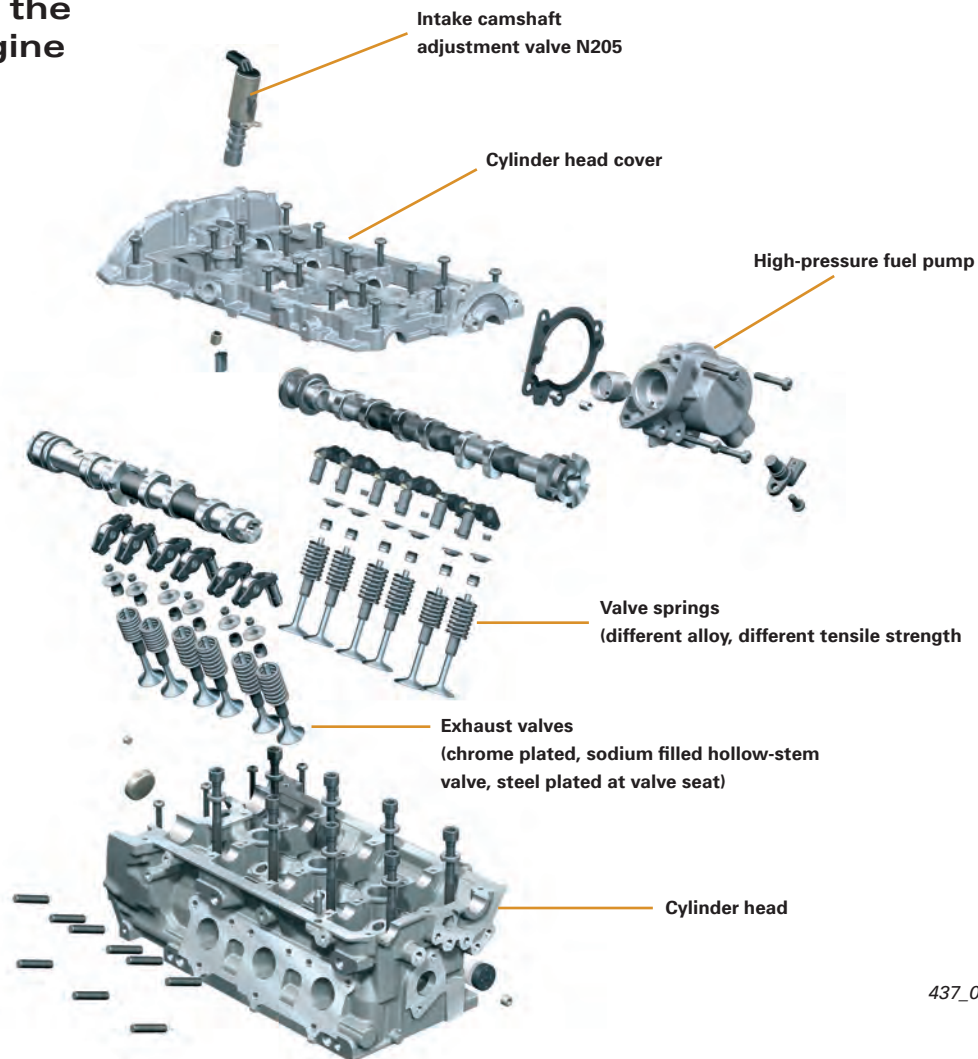


Cylinder head

The four-valve cylinder heads have very few changes from the 3.2l V6 FSI engine. The Audi valvelift system is not used in this engine.

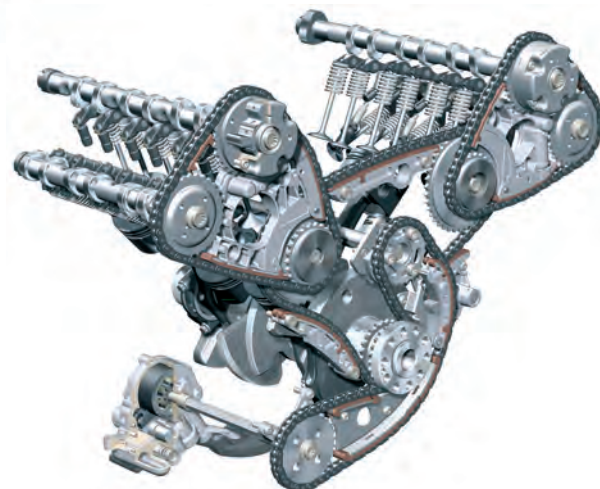
The exhaust camshaft adjuster has also been removed. However, an internal exhaust gas recirculation system has been implemented to assume the responsibilities of the exhaust camshaft adjuster.

Changes from the 3.2l V6 FSI engine



Chain drive

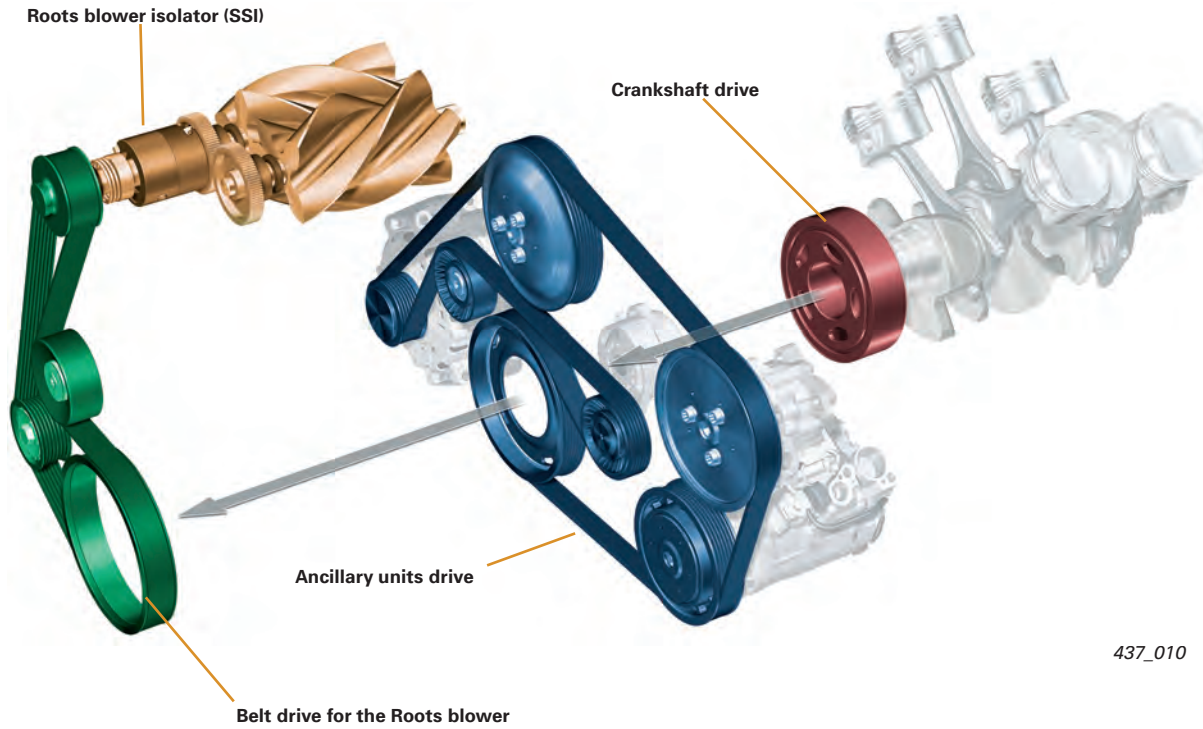
The chain drive is identical design to that of the 3.2l FSI engine. Differences are the modified *valve timing** and the absence of exhaust camshaft adjusters.



Engine Mechanical

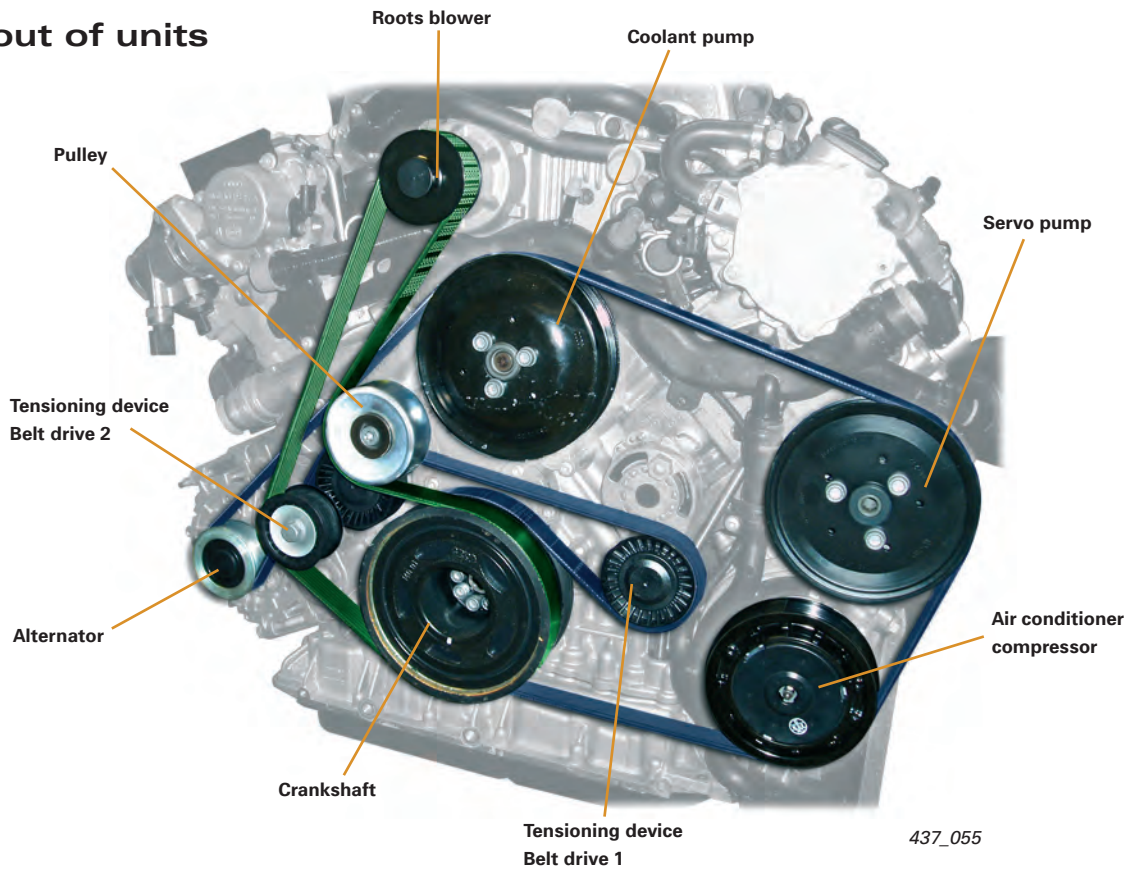
Driving the ancillary units/components

The engine has two separate belt drives for driving the ancillary units/components. The serpentine belt drives the alternator, the air conditioning compressor and the power steering hydraulic pump. The Roots blower is driven by a separate belt drive.



437_010

Layout of units



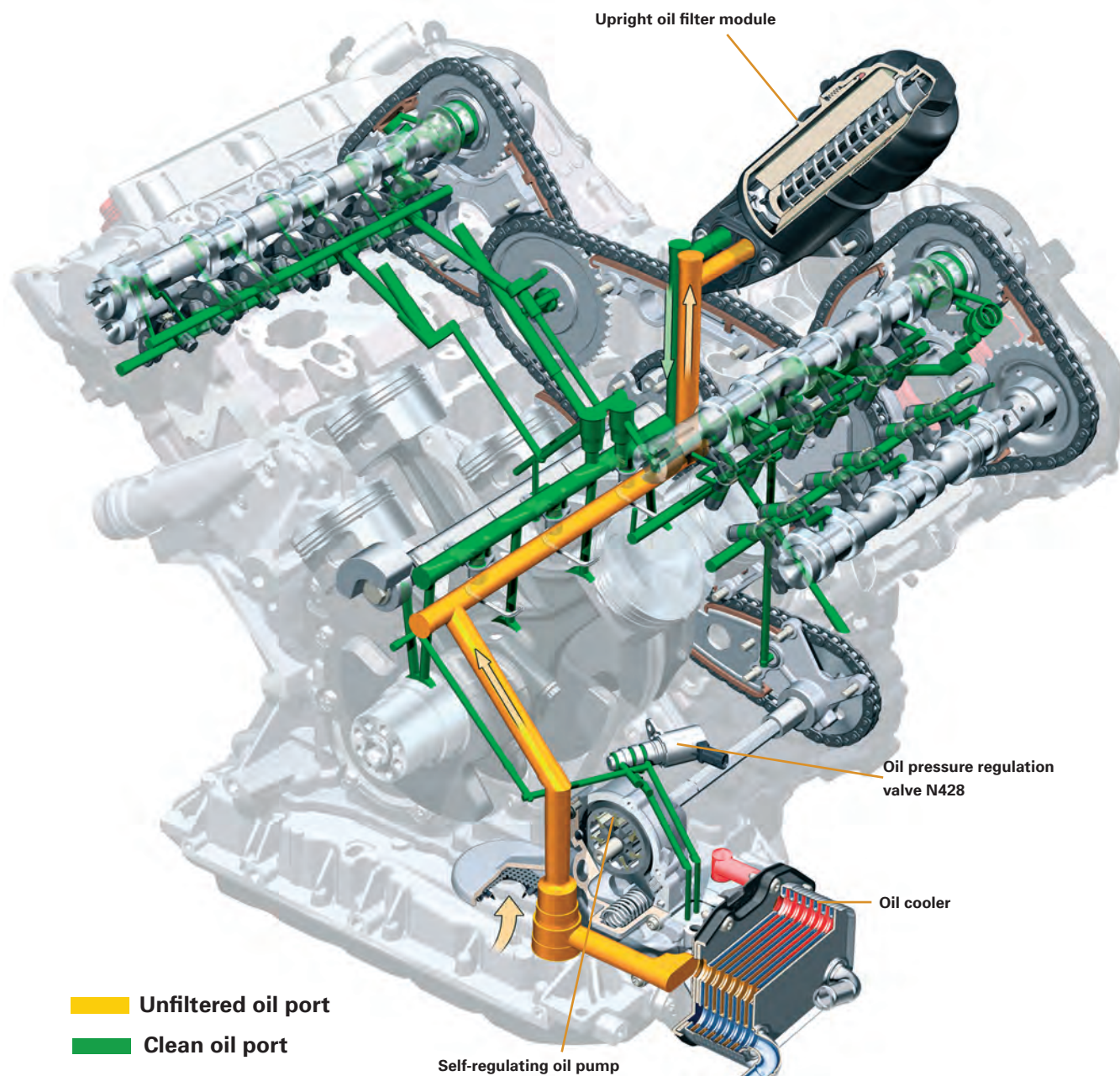
437_055

Oil circulation system

The oil circulation system of the 3.0l V6 TFSI engine was adopted from the 3.2l V6 FSI engine

However, there are the following differences:

- There are no spray nozzles for the cam followers in the valve gear (they are only needed in an engine with Audi valvelift system, since the narrower rollers require better lubrication)
- There is no drive module for the exhaust camshaft adjuster

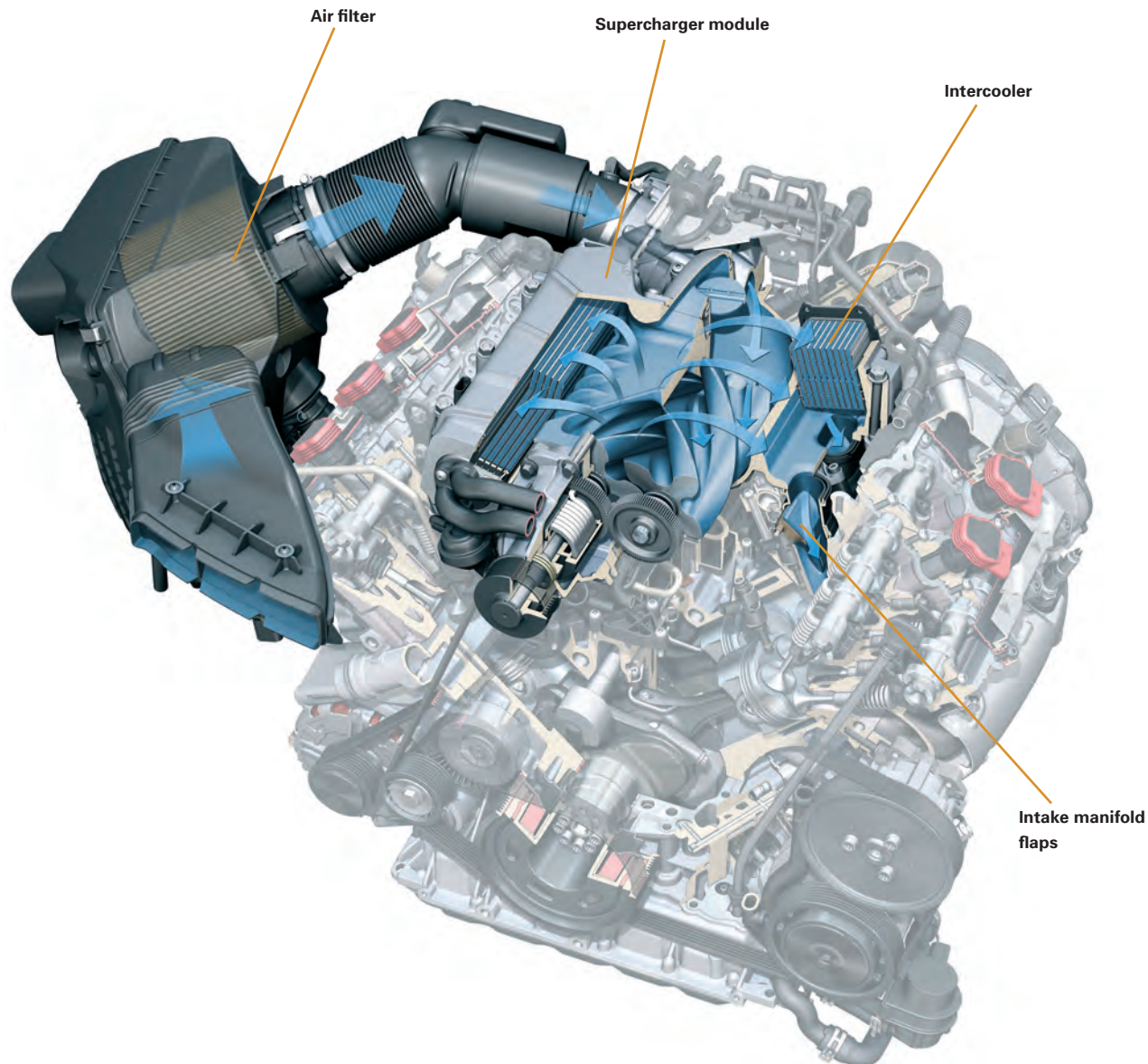


437_073

Air Supply

Air circulation system

The central component of the air supply system is the supercharger module, which sits inside the V shaped area between the cylinder banks. It consists of the Roots blower, the bypass control module and the intercooler.



437_025

Given Audi's extensive experience with exhaust turbocharging, you may ask yourself why a mechanical supercharging system has been chosen for the 3.0l V6 TFSI engine.

After carefully weighing the pros and cons on the basis of numerous tests conducted during the conceptual design and development phase, the decision fell in favor of the mechanical supercharging system.

The following criteria played a key role:

- High standard of comfort
- Good starting performance, coupled with a broad range of characteristics between comfort-oriented and ultra-sporty
- Because of this, the engine is suitable for use in multiple models
- Compliance with all current and upcoming exhaust emission standards (EU V and ULEV II)

Pros and cons of a mechanical supercharging system with Roots blower compared to an exhaust turbocharging system

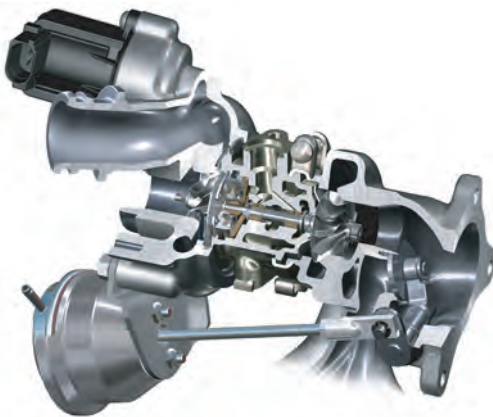
Pros:

- Charge pressure is immediately available whenever it is required
- Charge pressure is continuously supplied and rises with increasing rpm
- The charge air does not have to be cooled as much as turbocharged air
- Long life and maintenance-friendly operation
- Compact design (to save space, the supercharger can be installed in place of the intake manifold inside the V shaped area between the cylinder banks)
- High fuel efficiency
- Quick and dynamic torque response; peak torque is available at low rpm, providing good starting performance
- The compressed air paths to the cylinders are very short, resulting in a very low air volume and extremely quick response
- Enhanced exhaust emission characteristics (reason: the catalytic converter reaches its operating temperature faster). In an exhaust turbocharged engine, a portion of the heat energy is wasted in driving the turbocharger

Cons:

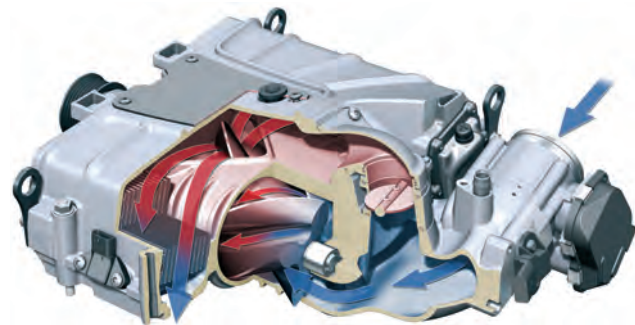
- It is very difficult to produce because very close manufacturing tolerances have to be maintained (rotor to housing and rotor to rotor)
- Higher susceptibility to ingress of foreign matter into the filtered air tract
- Relatively high weight
- Extensive soundproofing is needed
- Some engine power is lost in driving the blower

Exhaust turbocharger



437_053

Roots blower



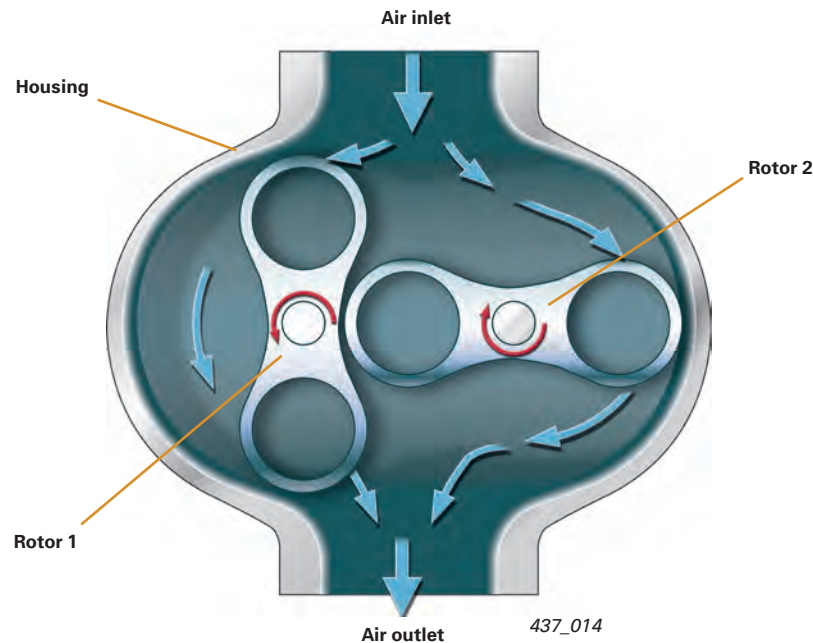
437_044

Air Supply

General information on Roots blowers

With their mechanical supercharging technology, Roots blowers are presently staging a comeback at Audi. In this section you will find general information about the design and development of this technology.

Basic principle



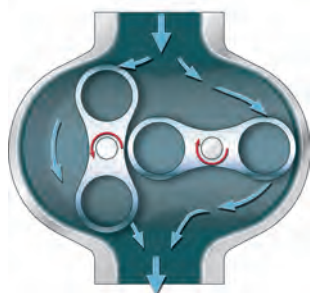
What are Roots blowers? In design terms, Root blowers are rotary piston compressors. They work without inner compression according to the displacement principle.

The fresh air blower consists of a housing in which two shafts (rotors) rotate. Both rotors are driven mechanically, e.g. by the crankshaft. Both rotors are coupled by a gearing outside the housing so that they counter-rotate synchronously. That is how they interact.

From a design standpoint, it is very important that the rotors are sealed off against each other and against the housing. The difficulty here is that no friction must be allowed to develop.

When the blower is operating (i.e. the rotors are rotating), air is conveyed between the vanes and the outer wall of the housing from the air inlet (on the intake side) to the air outlet (on the pressure side).

Types



The historic blowers of the past were equipped with twin-vane rotors.



Today's modern versions usually have three vanes and are screw shaped to provide a higher pressure (for better efficiency).

Historical evolution

The system is named after brothers Philander and Francis Roots, who had the principle patented as long ago as 1860.

At that time Roots blowers were principally used as wind generators for blast furnaces, but also found uses in other branches of industry.

A Roots blower was used in an automobile for the first time by Gottlieb Daimler in 1900. In the 1920s and 1930s, Roots blowers were introduced into motorsport.

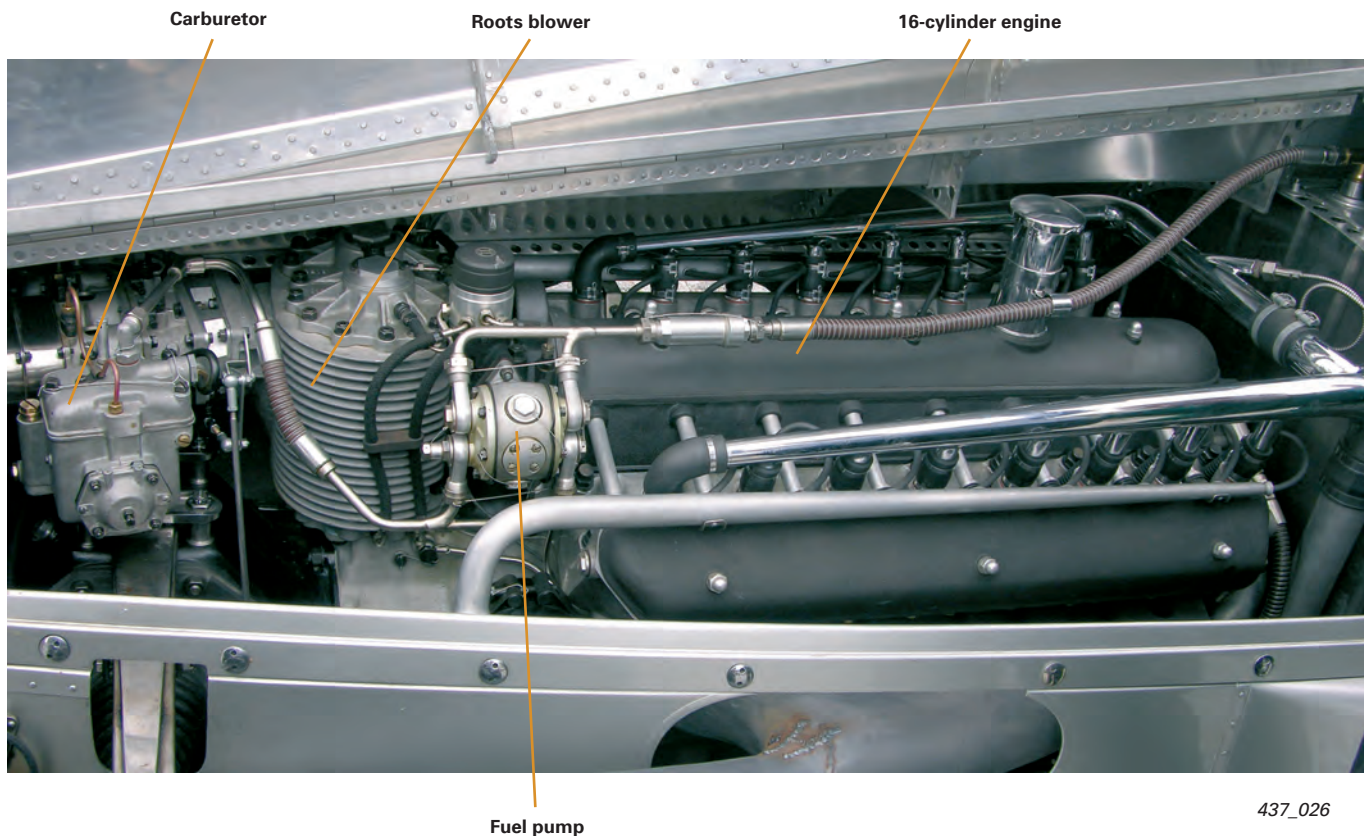
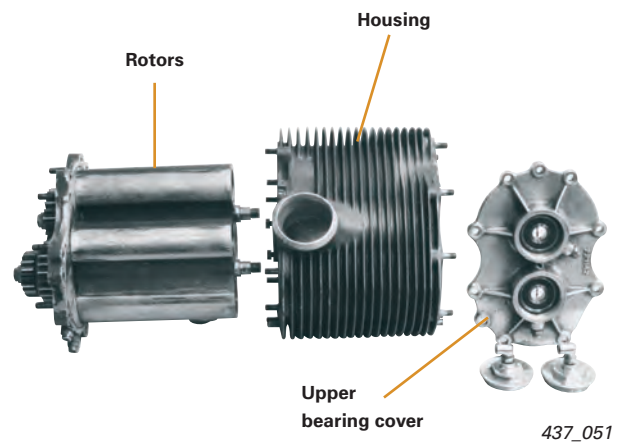
A special feature of these engines is that they can be easily identified by their typical "compressor squeal" sound.

The illustration to the right shows a Roots blower from the 1936 AUTO UNION Type C grand prix racing car.

With the development of highly temperature-resistant materials, the Roots blower was superseded by the exhaust turbocharger. Today, Roots blowers are mainly used on sporty vehicles.

The difference between the AUTO UNION racing car and the 3.0l V6 TFSI engine is that, on the former, the air-fuel mixture was formed upstream of the Roots blower.

This configuration was chosen because the partial vacuum needed to draw fuel out of the carburetor was only available upstream of the Roots blower. The Roots blower compressed the the air-fuel mixture.



Air Supply

Supercharger module

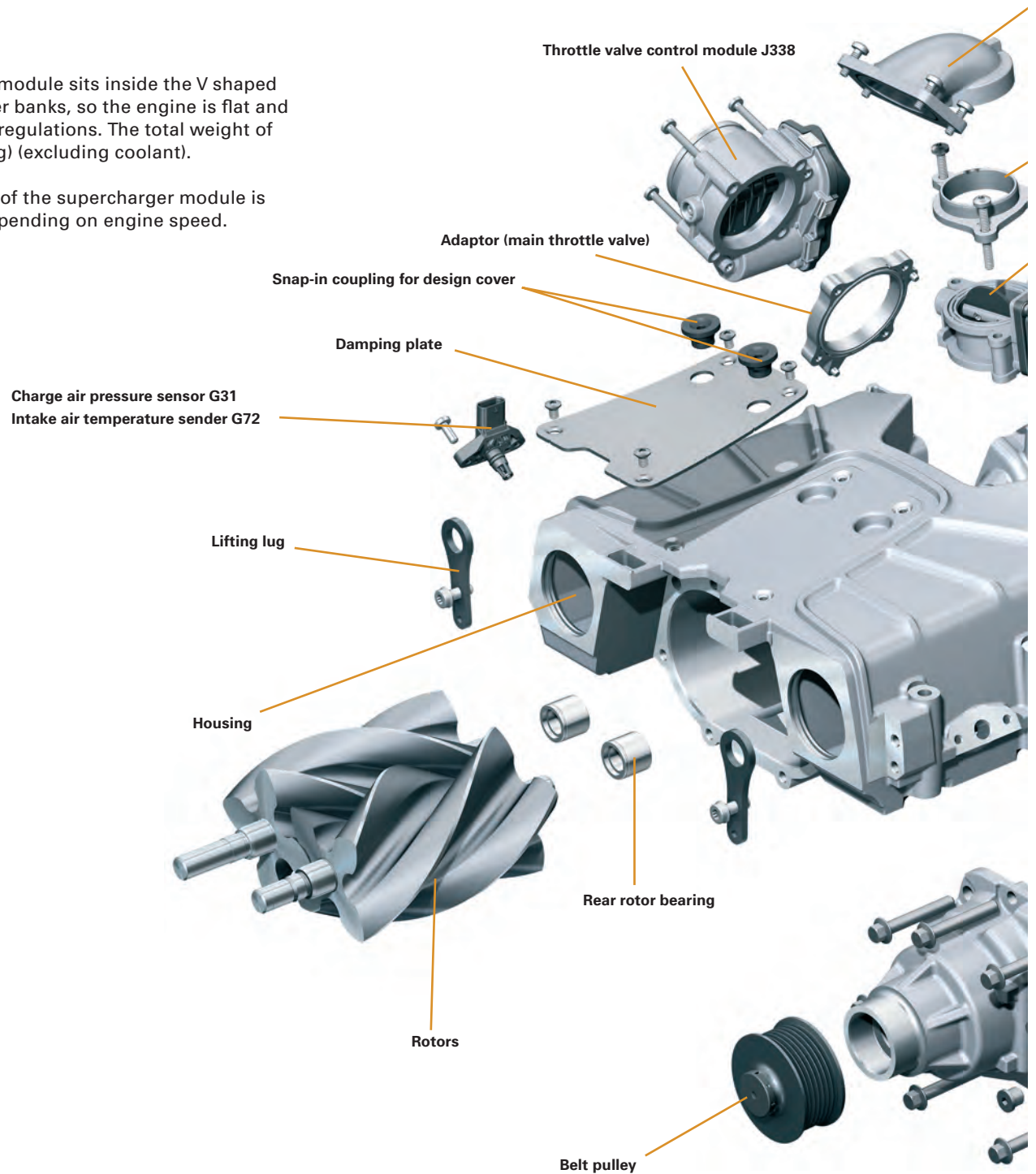
Modern Roots blowers of the type used on Audi models have two identical four-vane rotors. Each vane of the two rotors is set at an angle of 160° relative to the longitudinal axis to provide a more continuous air flow with less pulsation.

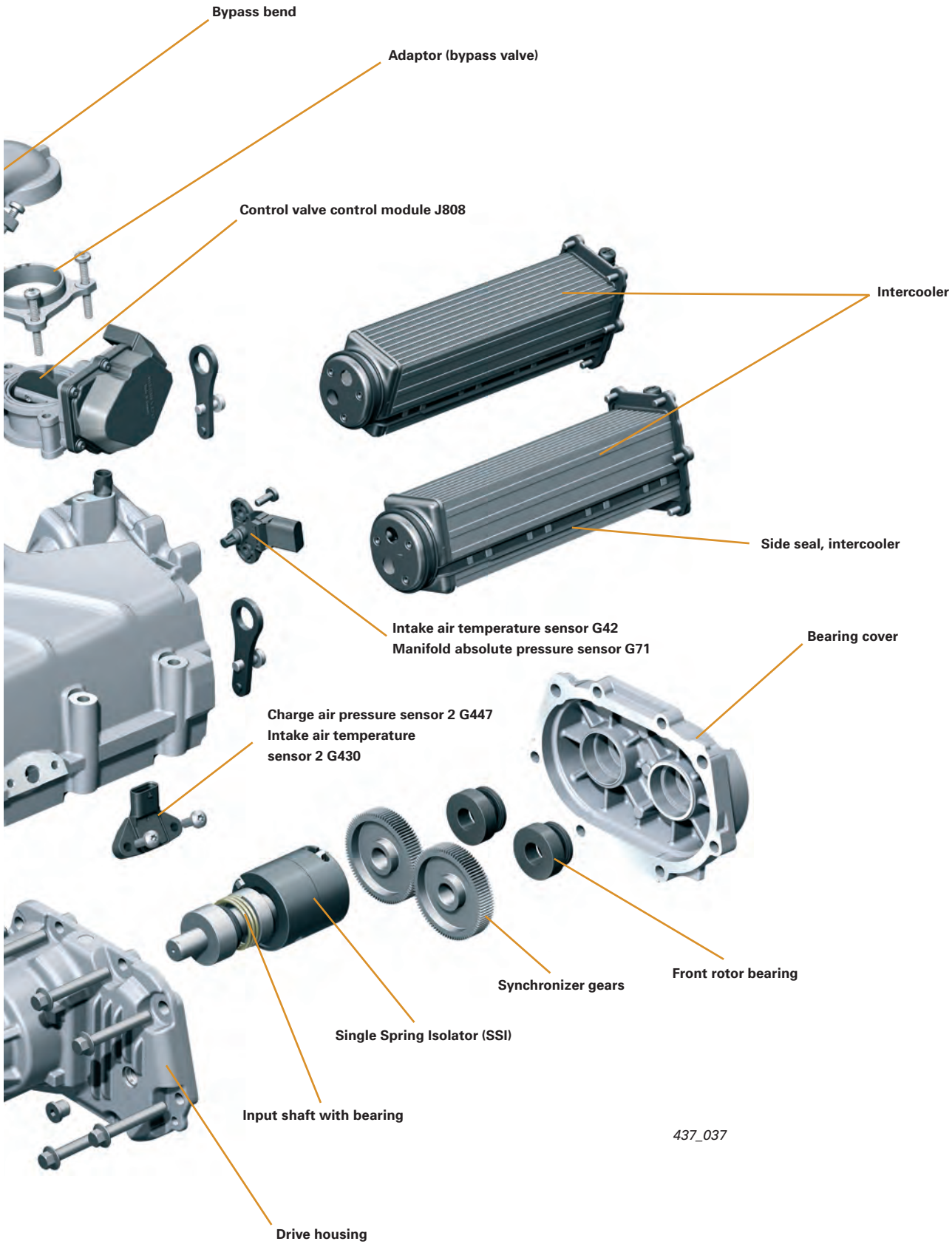
The Roots blower for the 3.0l V6 TFSI engine is manufactured by EATON. This company already has many years of experience in the manufacture of Roots blowers.

Design

The entire supercharger module sits inside the V shaped area between the cylinder banks, so the engine is flat and meets pedestrian safety regulations. The total weight of the module is 39 lb (18 kg) (excluding coolant).

The power consumption of the supercharger module is between 2 and 50 hp, depending on engine speed.





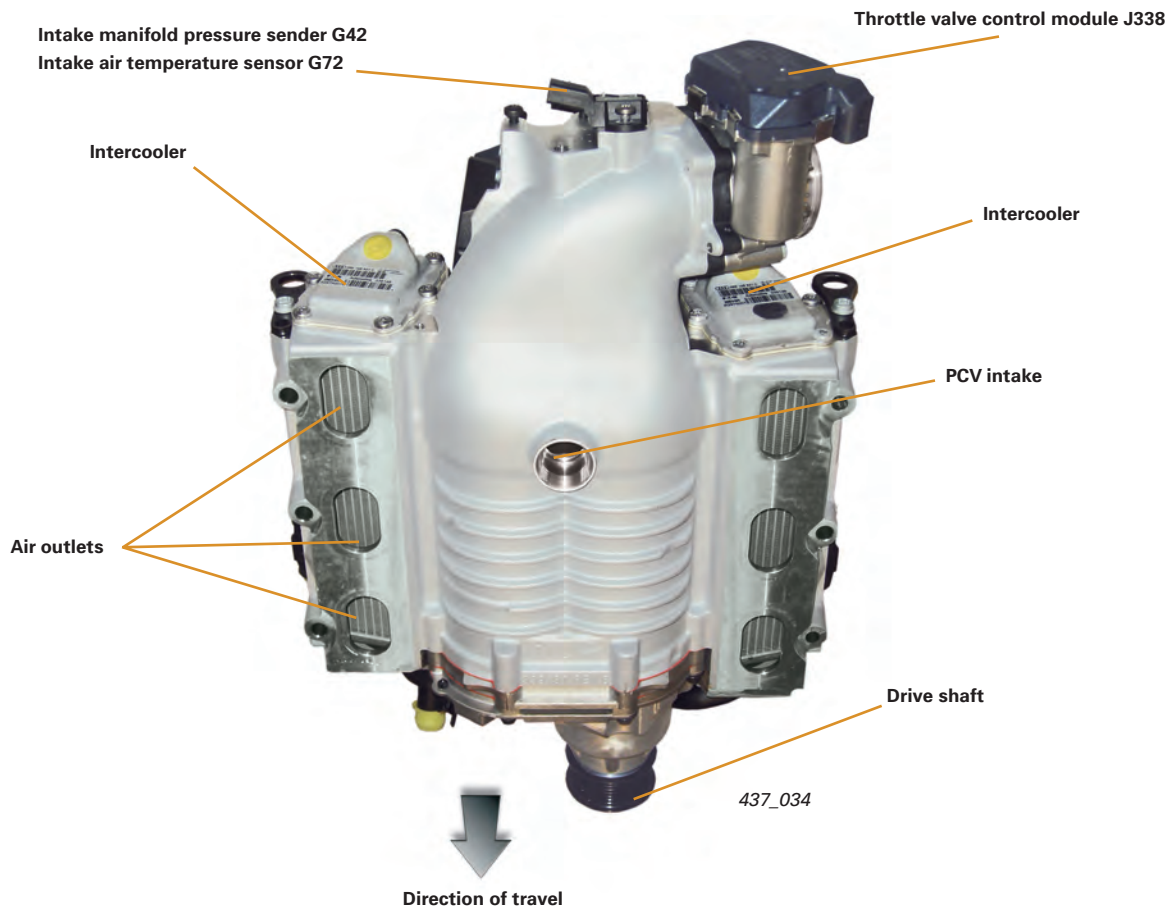
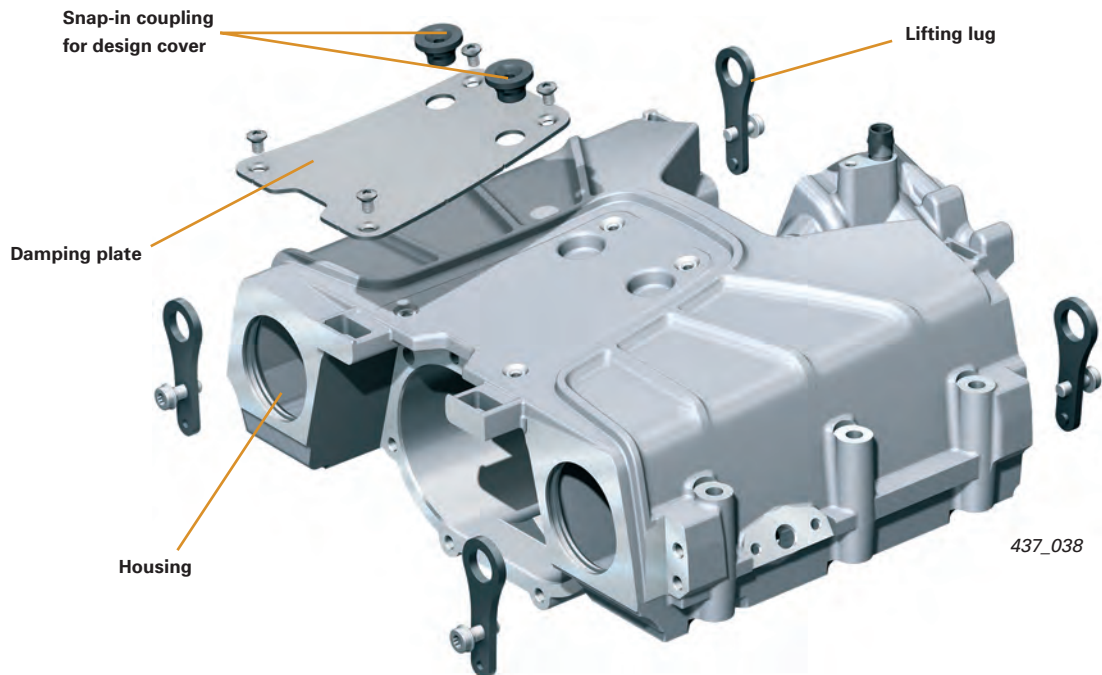
437_037

Air Supply

Housing

The Roots blower, an electrically activated bypass valve and one intercooler per cylinder bank are integrated in a cast mono-block housing.

The air outlets to the individual cylinders can be found on the underside of the housing. The lifting lugs bolted to the supercharger module are for suspending the engine during removal and installation.



Drive

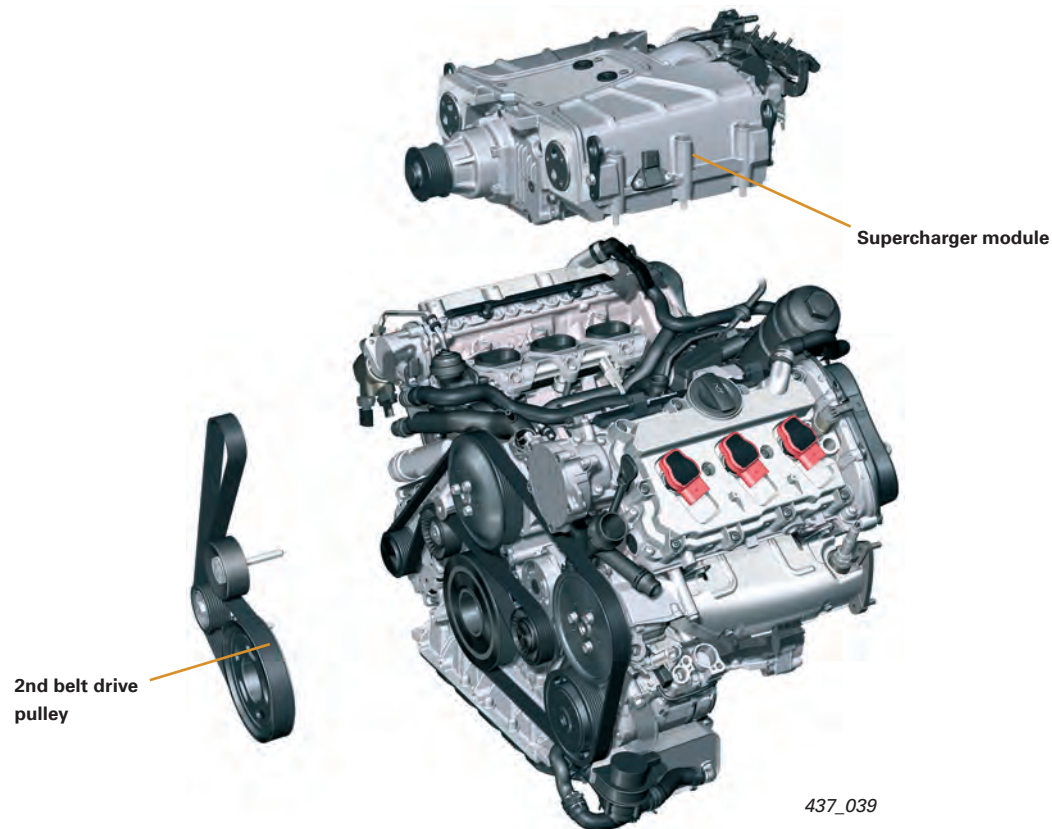
The Roots blower is driven by the crankshaft via the second pulley of the belt drive.

Drive is permanent, and is not engaged or disengaged by a magnetic coupling.

Each belt drive is insulated against crankshaft vibration by a rubber buffer in a shared torsion vibration damper.

The result is better resonance damping at low engine speeds and full throttle.

Because of this the load on the belt is significantly lower. The crankshaft-to-supercharger drive ratio is 1:2.5.

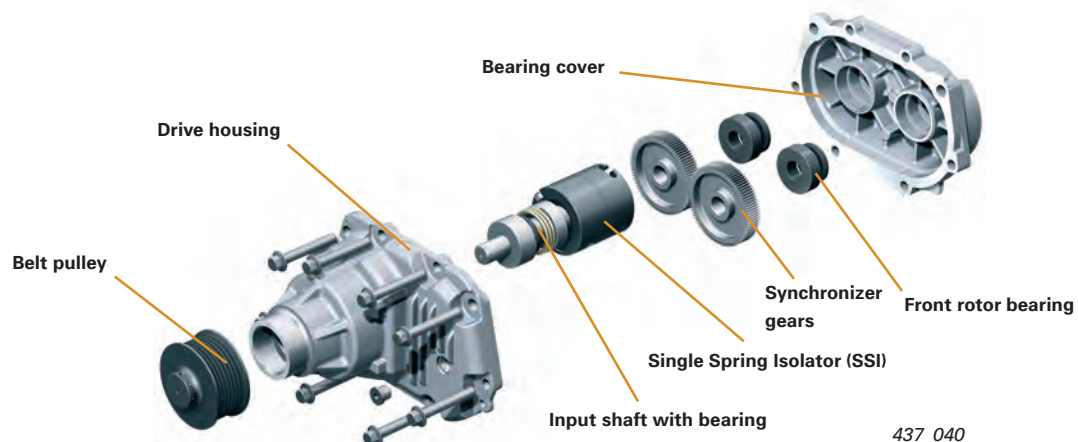


The Roots blower is coupled by means of a Single Spring Isolator (SSI) integrated in the drive housing of the supercharger module.

The SSI is designed to optimize force transmission under load reversal.

It ensures very smooth running (optimized acoustics) and extends the life of the drive belt.

The ribbed V-belt which drives the Roots blower has a replacement interval of 75,000 miles (120,000 km).



Air Supply

Function

A spring element is built into the drive housing of the Roots blower. It consists of a torsion spring guided by an input bushing and an output bushing and transmits drive torque from the belt pulley to the gearing.

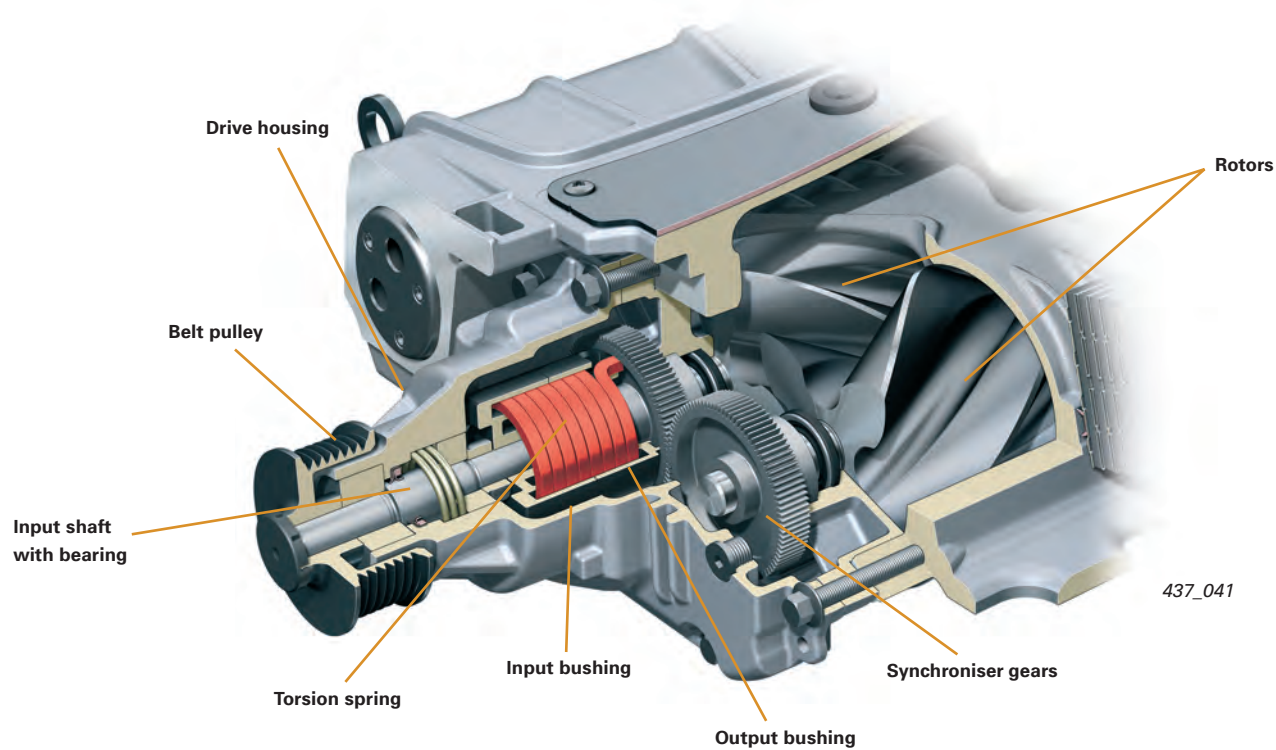
The input and output bushings limit the movement of the spring, both into and counter to the direction of rotation of the Roots blower.

The spring element is rated "soft" enough to effectively isolate the blower, yet also firm enough to prevent harshness during dynamic operation (under load reversal), which can cause unwanted noise.

Further along the drive-line, the second rotor is driven through a pair of gears so that the two rotors counter-rotate absolutely synchronously. The gears are press fitted onto the rotor shafts by the manufacturer using special gauges.

A perfect fit must be ensured, as the rotor vanes would otherwise come into contact with one another.

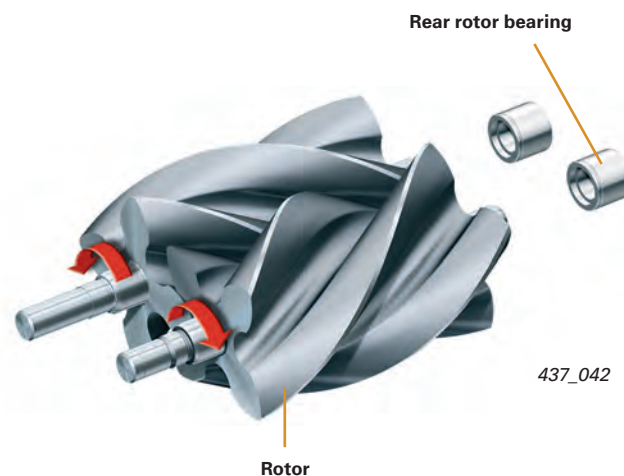
For this reason, the gears must not be removed from the shafts during servicing. The drive head is filled with special-grade oil.



Rotors

The two four-vane rotors are set at an angle of 160° and run on maintenance-free roller bearings. To minimize wear during the run-in phase, the rotors have a special graphite-based coating.

This coating also guards against air leakage (rotor to rotor, rotor to rotor bore) providing better performance.



Control of air flow and charge pressure

The Roots blower is permanently driven. Without a charge pressure control system, the Roots blower would always deliver the maximum air flow rate for each engine speed and therefore generate the maximum charge pressure.

However, charged air is not required in all operating states, so there would be an excessive build-up of air on the pressure side of the blower. This would, in turn, lead to an unnecessary loss of engine power. Therefore, it is necessary to regulate charge pressure.

In the 3.0l V6 TFSI engine, the control valve control module J808 is used to regulate the charge pressure. It is integrated in the supercharger module and connects the pressure side to the intake side. By opening a bypass valve, a portion of the air flow is recirculated through the open bypass to the intake side of the Roots blower.

The bypass valve works in much the same way as a wastegate on an exhaust turbocharged gasoline engine.

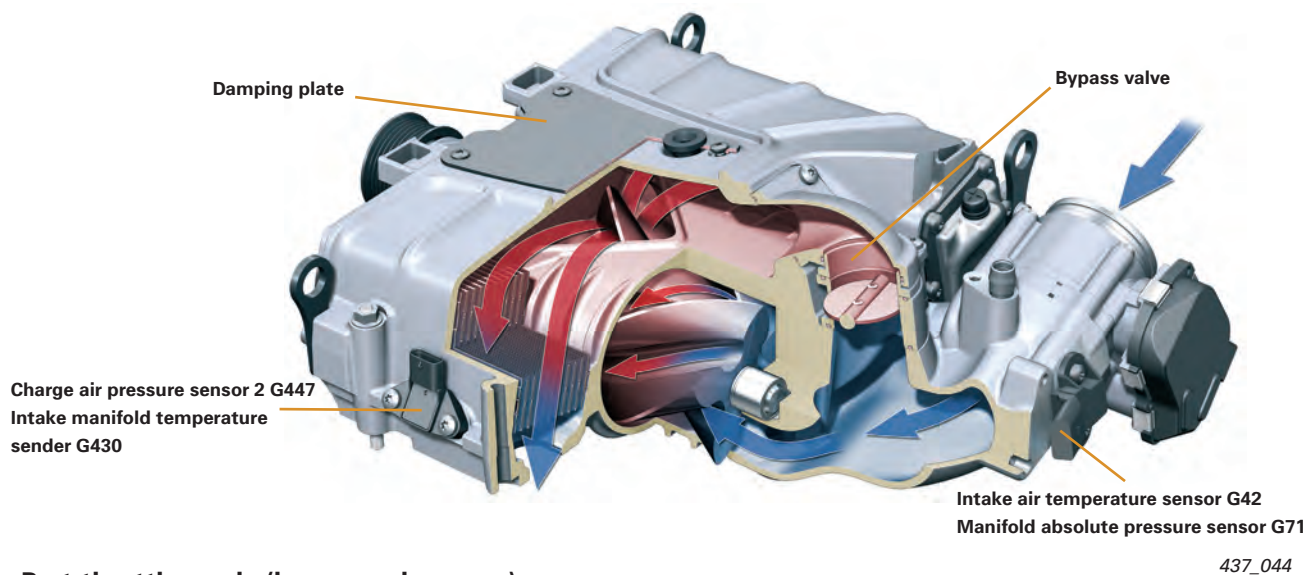
Tasks of the control valve control module J808:

- Regulation of the charge pressure defined by the engine control module
- Limitation of maximum charge pressure to 1.9 bar (absolute)

Function

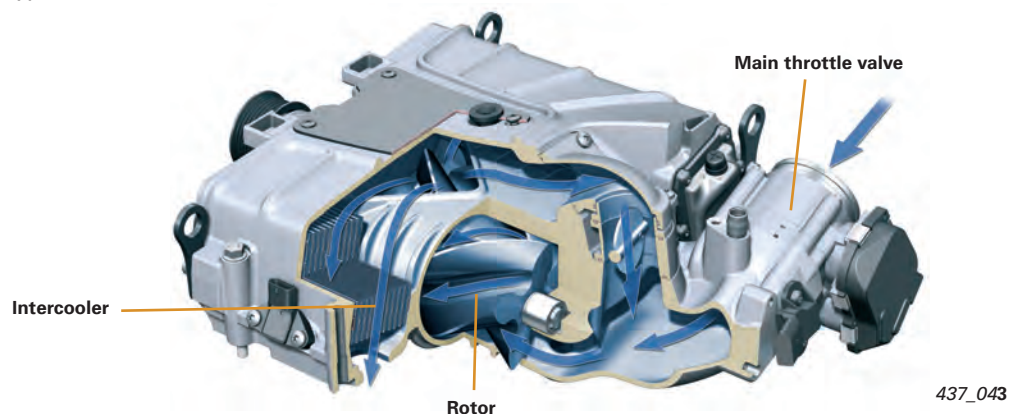
Full-throttle operation (bypass valve closed)

When the engine is running at wide open throttle, air flows through the throttle valve, Roots blower and intercooler to the engine.



Part-throttle mode (bypass valve open)

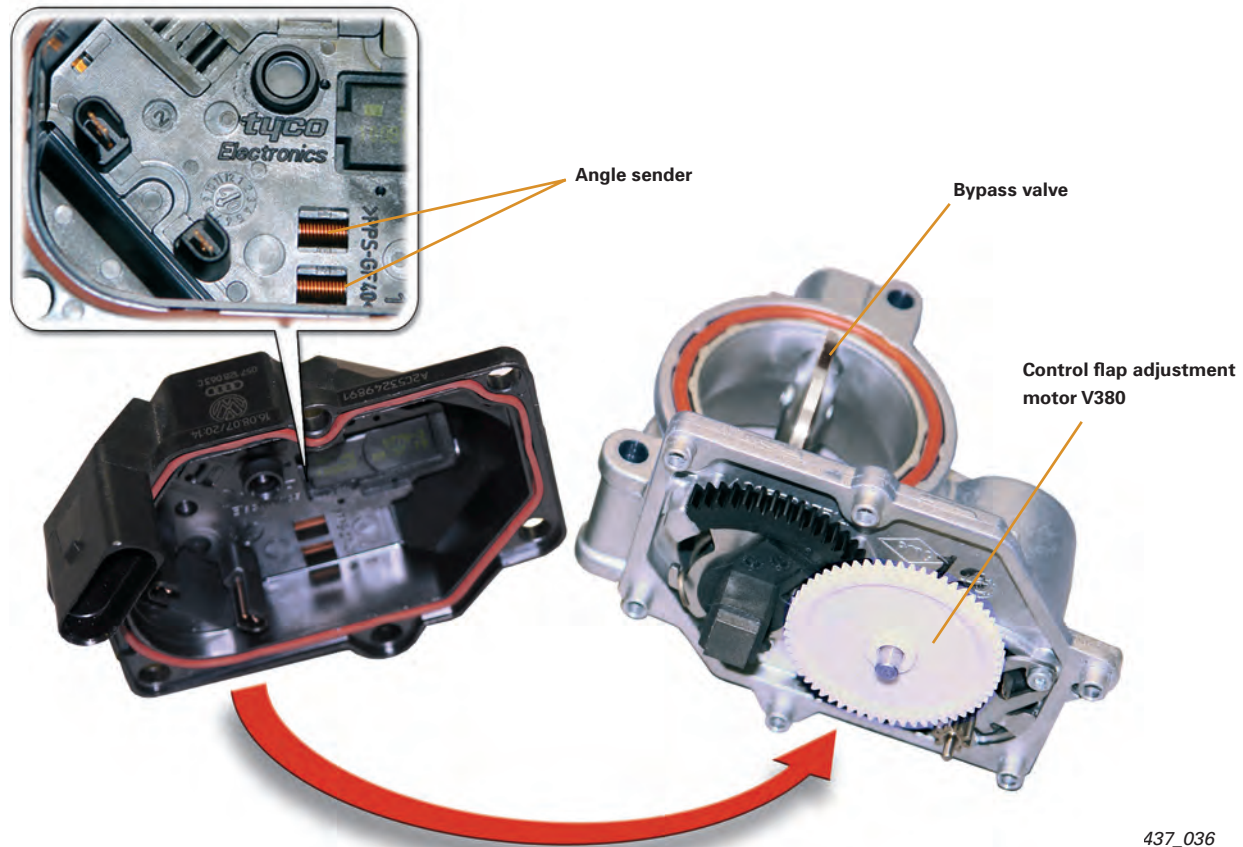
When the engine is running at part throttle, at idle and when coasting, a portion of the airflow is recirculated through the open bypass valve to the intake side.



Air Supply

Control valve control module J808

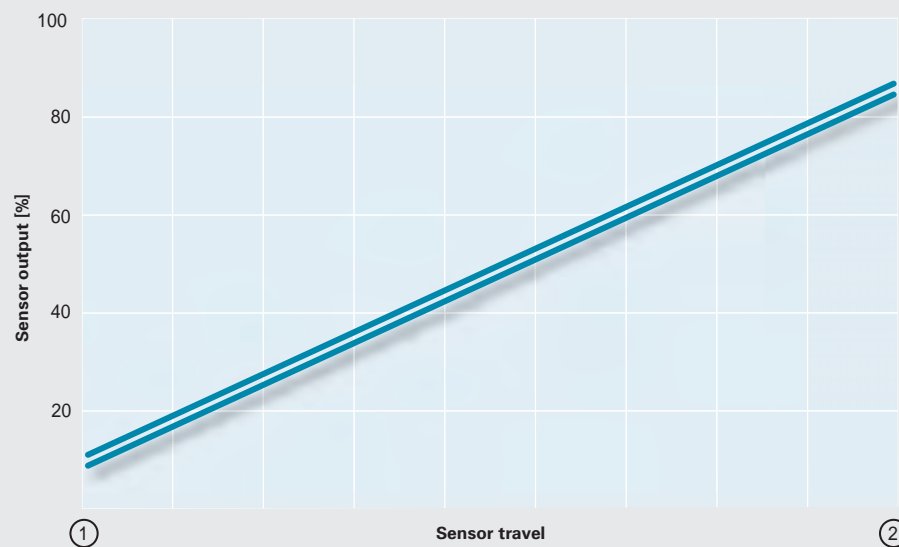
Use of the control valve control module J808 eliminates the need for a complex and expensive belt drive shut-off in the form of a magnetic coupling.



437_036

Signal characteristic of the control flap potentiometer G584

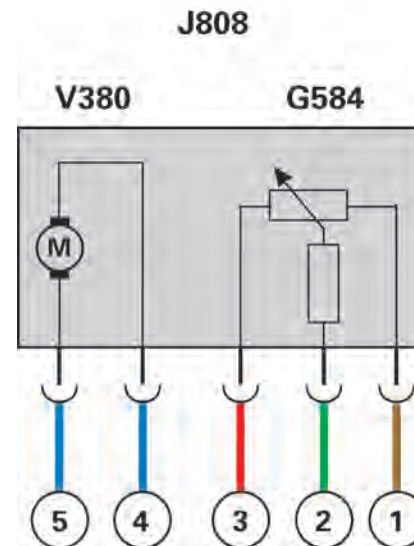
- ① Lower mechanical stop
- ② Upper mechanical stop



Legend:

G584 Control valve position sensor
 J808 Control valve control module
 V380 Control flap adjustment motor (type: DC motor)

- ① Sensor voltage ground
- ② Control signal
- ③ Positive sensor voltage
- ④ Motor supply voltage
- ⑤ Motor supply voltage



437_052

Control flap position sensor G584

This component senses the current position of the control flap and is integrated in the actuator housing cover.

Its output voltage range is between 0.5 and 4.5 V. The potentiometer operates on the magneto-resistive measurement principle and is immune to electromagnetic radiation (EMC*).

Signal utilization

The flap position feedback signal is utilized to determine the control input variable. It is also used to determine the adaptation values

Effects of signal failure

The flap is de-energized and moves into its wide open position under spring load. The fault is irreversible for the duration of one driving cycle. In this case, no charge pressure is built up.

Neither the full engine power output nor the full engine torque is available.

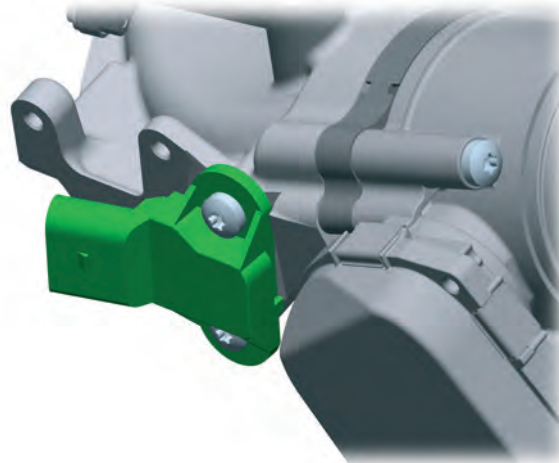
This component is subject to OBD; i.e. if it fails, the malfunction indicator lamp K83 (MIL) is activated.

Air Supply

Sensors for the measurement of air mass and charge pressure

Air mass and charge pressure are two factors used for engine load management. For this purpose, there are three sensors with absolutely identical functions. They measure the intake air temperature and the intake manifold pressure. The first sender unit is located upstream of the throttle valve control module J338 and contains the following senders:

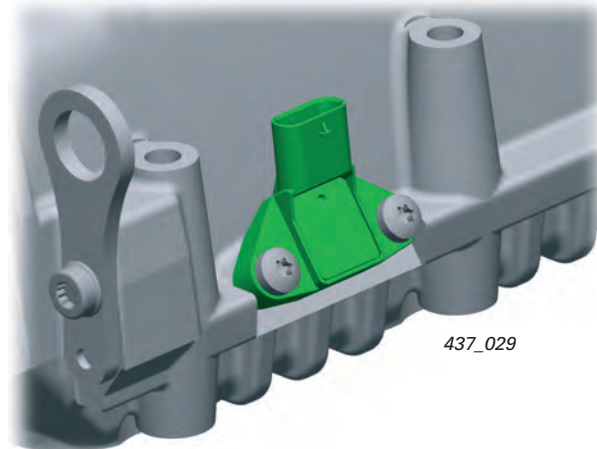
- Intake air temperature sensor G42
- Manifold absolute pressure sensor G71



437_028

The other identical senders are integrated in the supercharger module. They measure the pressure and temperature of the air in each individual cylinder bank. It is important that the measuring point be located downstream of the intercoolers. The values measured here correspond to the actual air mass in the cylinder banks. The senders are as follows:

- Charge air sensor G31 (cylinder bank 1)
- Intake air temperature sensor G72 (cylinder bank 1)
- Charge air pressure sensor 2 G447 (cylinder bank 2)
- Intake air temperature sensor 2 G430 (cylinder bank 2)



437_029

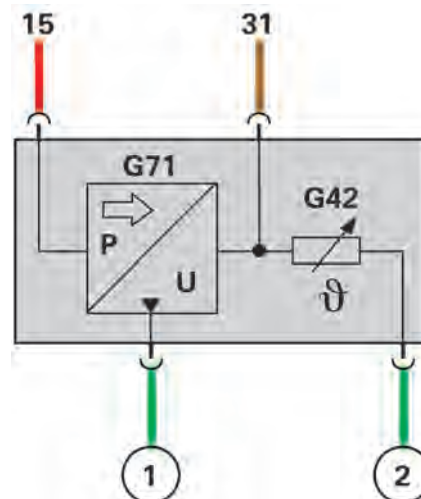
Circuit diagram

The intake air temperature sensor G42 is a temperature sensor with a negative temperature coefficient (NTC). Its output is a voltage signal to the engine control module.

Legend:

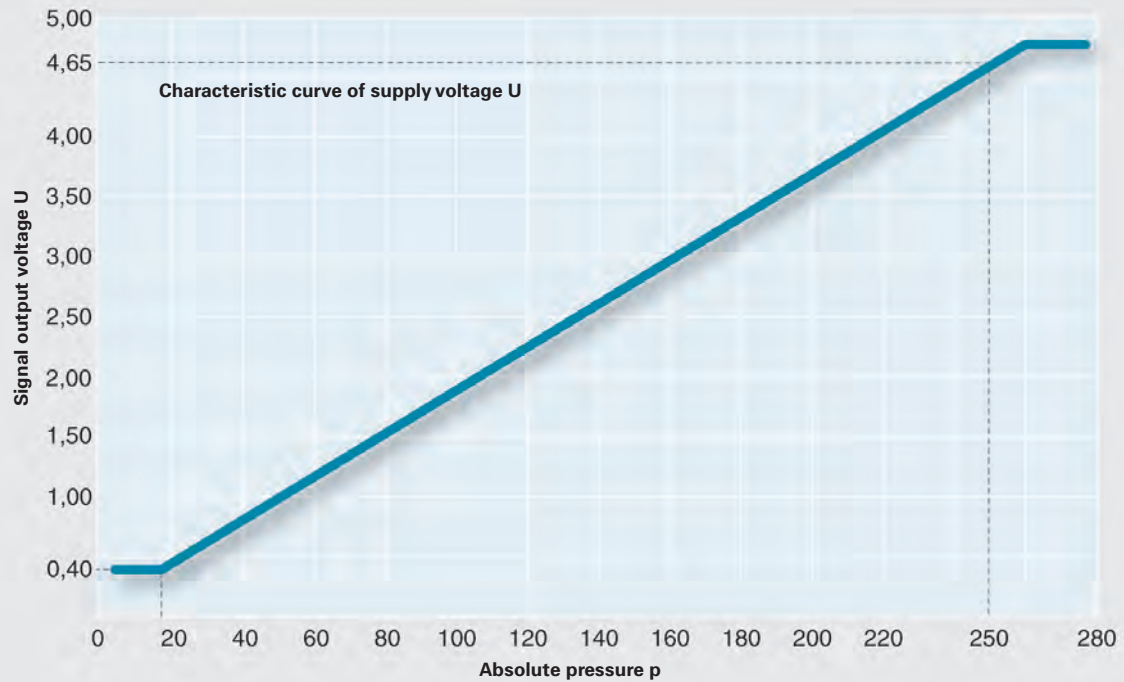
G42 Intake air temperature sensor
G71 Manifold absolute pressure sensor
15 Terminal 15
31 Terminal 31

- Voltage signal for intake manifold pressure
- Resistance signal for intake air temperature



437_018

Signal characteristic of the intake manifold pressure sender



Signal Utilization

The signal generated by the manifold absolute pressure sensor G71 upstream of the throttle valve control module is used to determine the nominal position of the bypass valve.

This information is required to set the required charge pressure. This nominal position of the bypass valve depends largely on the pressure level upstream of the supercharger module.

Charge pressure sensors G31 and G447 have two purposes. First, they are used to adjust the charge pressure to the required nominal value. Second, the air mass is calculated from their output signal during each working cycle. This air mass is a key input variable of the torque-based engine management system, which determines the injection rate, injection timing and ignition advance angle.

Effects of signal failure

In case of signal failure, the malfunction indicator lamp K83 (MIL) is activated. Failure of the manifold absolute pressure sensor G71 will result in less precise adjustment of the charge pressure, which may result in uneven acceleration.

If charge air sensors G31 and G447, fail this will result in an incorrect air-fuel mixture throughout the load/speed range because of an incorrect air mass calculation.

This will in turn cause an incorrect quantity of fuel to be injected, resulting in higher exhaust emissions and loss of power (and even misfiring). In charging mode, a fault in this sender can result in wrong charge pressures, causing irreparable damage to the engine.




For this reason, all senders are validated after the ignition is turned on. If irregularities are detected, an entry will be made in the fault memory and the system switches over to an equivalent sensor or the backup sender. This allows the system to operate normally from the driver's viewpoint and consequential damage will be avoided.

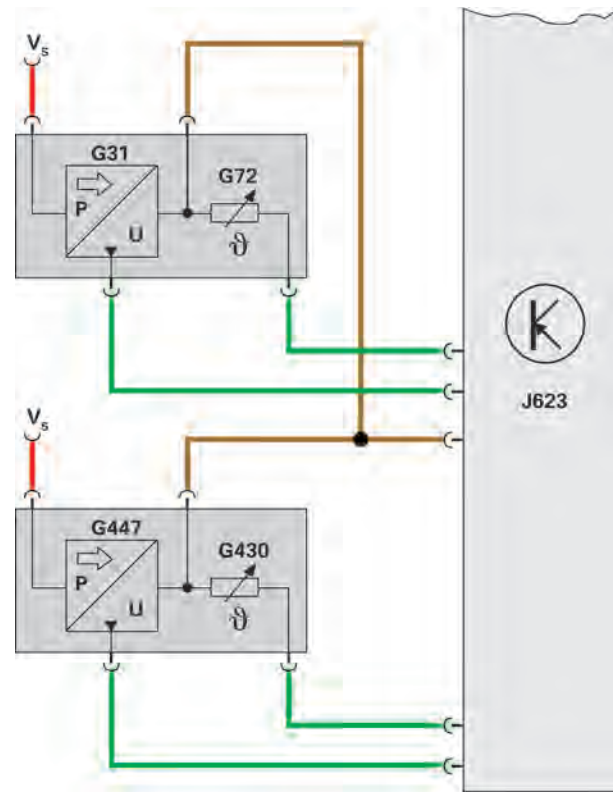
Air Supply

Circuit diagram

Legend:

- G31 Charge air sensor (cylinder bank 1)
- G72 Intake air temperature sensor (cylinder bank 1)
- G430 Intake air temperature sensor cylinder bank 2
- G447 Charge air pressure sensor 2 (cylinder bank 2)
- J623 Engine control module
- Vs Supply voltage (5 volts)

-  Positive
-  Ground
-  Sensor signal



437_020

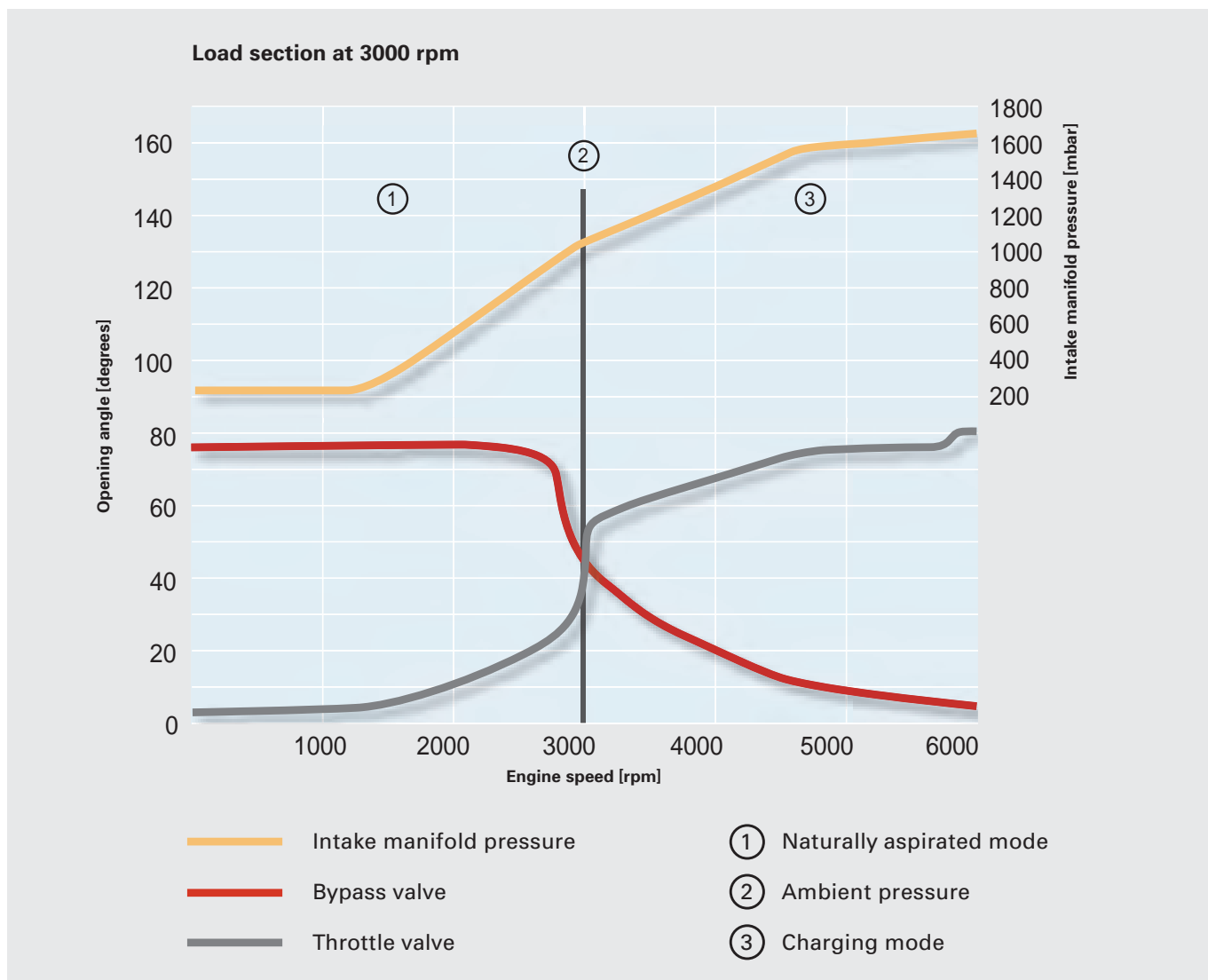
Load management

The control valve control module J808 operates in conjunction with the throttle valve control module J388.

The control system was designed to maximize throttle free operation and power delivery.

During part-throttle and naturally aspirated operation, the bypass valve is wide open and the engine throttle valve takes care of load management. In charge pressure mode, the bypass valve regulates the engine load and the engine throttle valve is wide open.

The diagram below shows the function of both flaps.



Air Supply

Intake manifold flaps

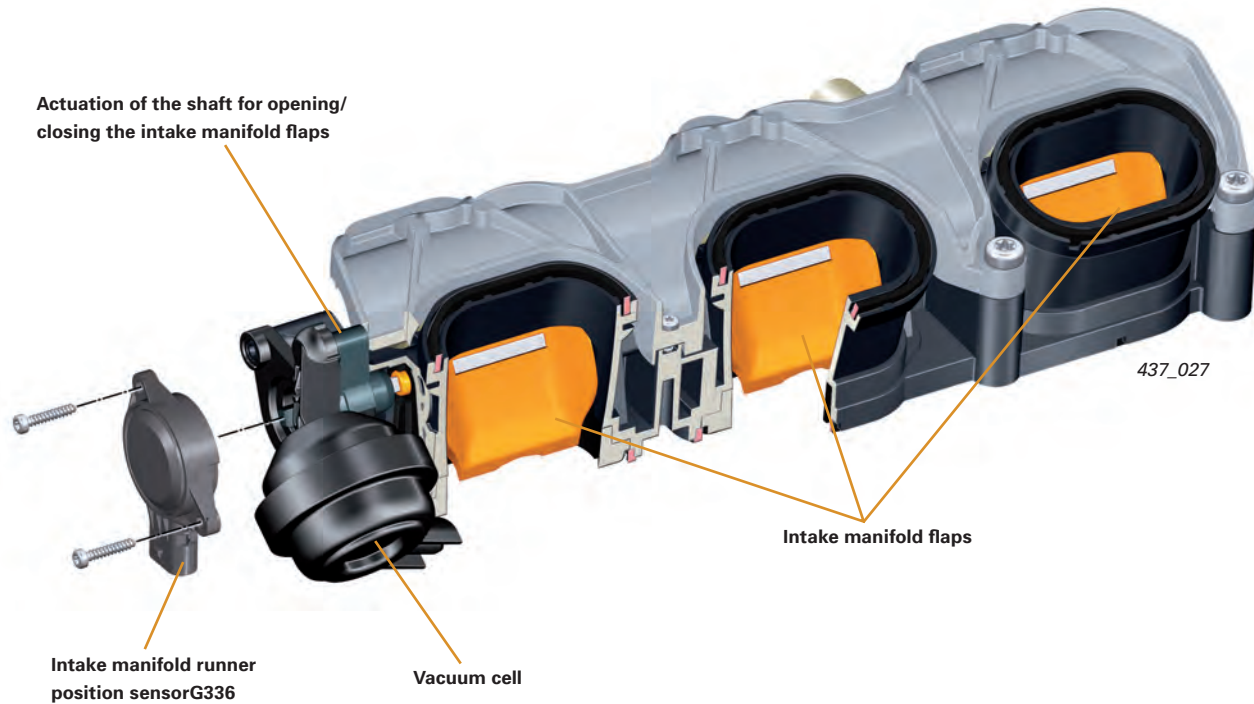
Intake manifold flaps are used on the 3.0l V6 TFSI engine to improve internal mixture formation. They are housed in an adaptor element between the supercharger module and the cylinder head

Note



When installing the intake manifold flap module, the intake manifold flaps must be moved into the "power" position (intake port open).

Intake manifold flap module, left cylinder bank

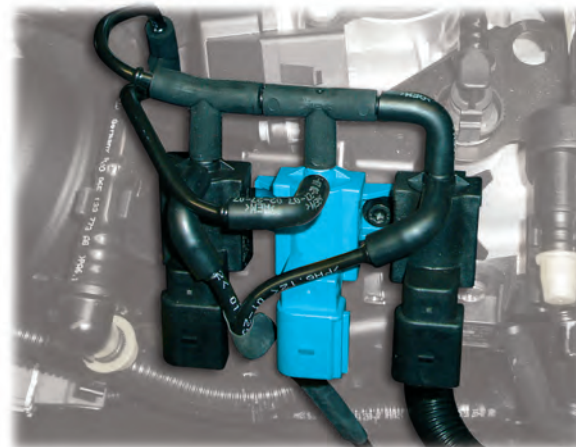


Intake manifold runner control valve N316

The intake manifold valves are mounted on a common shaft and actuated by a vacuum cell. The partial vacuum required for actuation is supplied by the intake manifold flap valve N316. The engine control module activates the intake manifold runner control valve N316 on the basis of a characteristic map.

Effects of failure

If N316 is not activated or faulty, no partial vacuum will be supplied. In this condition, the intake manifold flaps close the "power" port in the cylinder head under the spring pressure produced by the vacuum cell, reducing engine output.

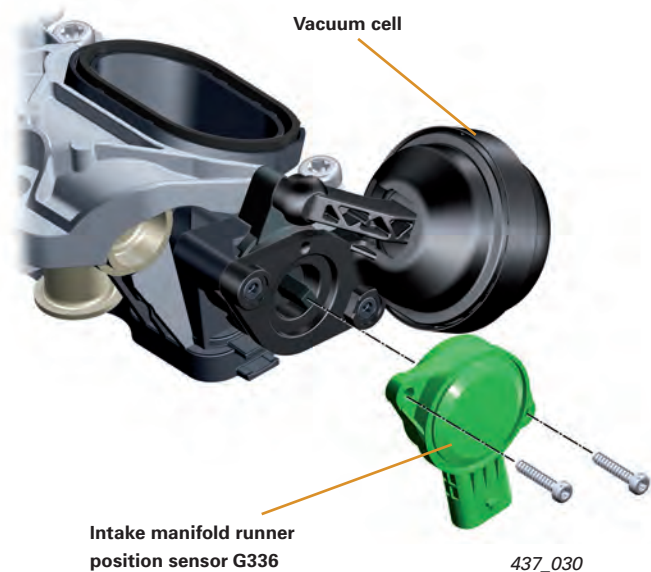


Intake manifold runner position sensor

Two sensors monitor the positions of the intake manifold flaps:

- Cylinder bank 1: Intake manifold runner position sensor G336
- Cylinder bank 2: Intake manifold runner position sensor 2 G512

The sensors are integrated directly in the vacuum cell flange. They are contactless incremental encoders and work on the Hall sender* principle. The sensor electronics generate a voltage signal, which is evaluated by the engine control module.



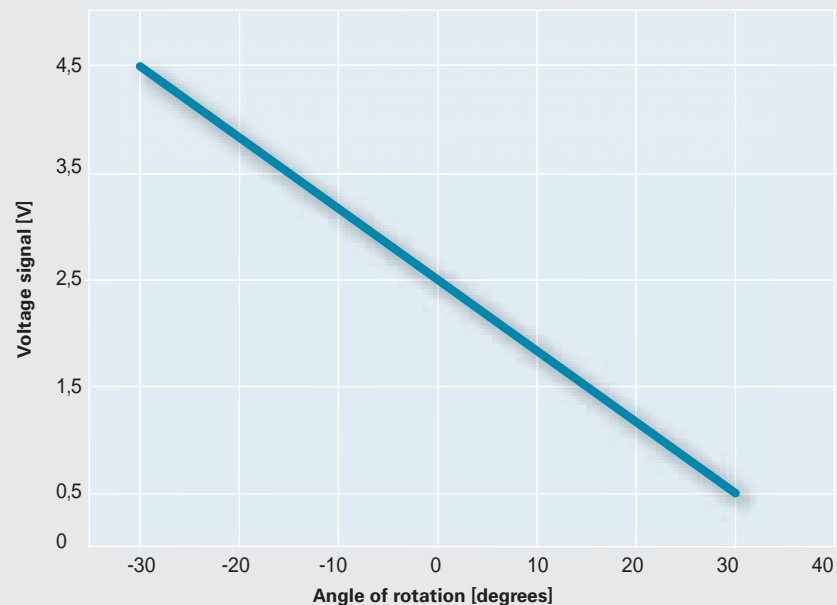
Signal utilization

The signal is used to monitor the position of the intake manifold flap and for diagnostic purposes (e.g. to check for wear etc.).

Effects of signal failure

The position of the intake manifold flap will no longer be correctly sensed. No diagnosis will be possible. This component is subject to OBD; i.e. if it fails, the malfunction indicator lamp K83 (MIL) is activated. Loss of power can occur.

Signal characteristic of the intake manifold flap potentiometer

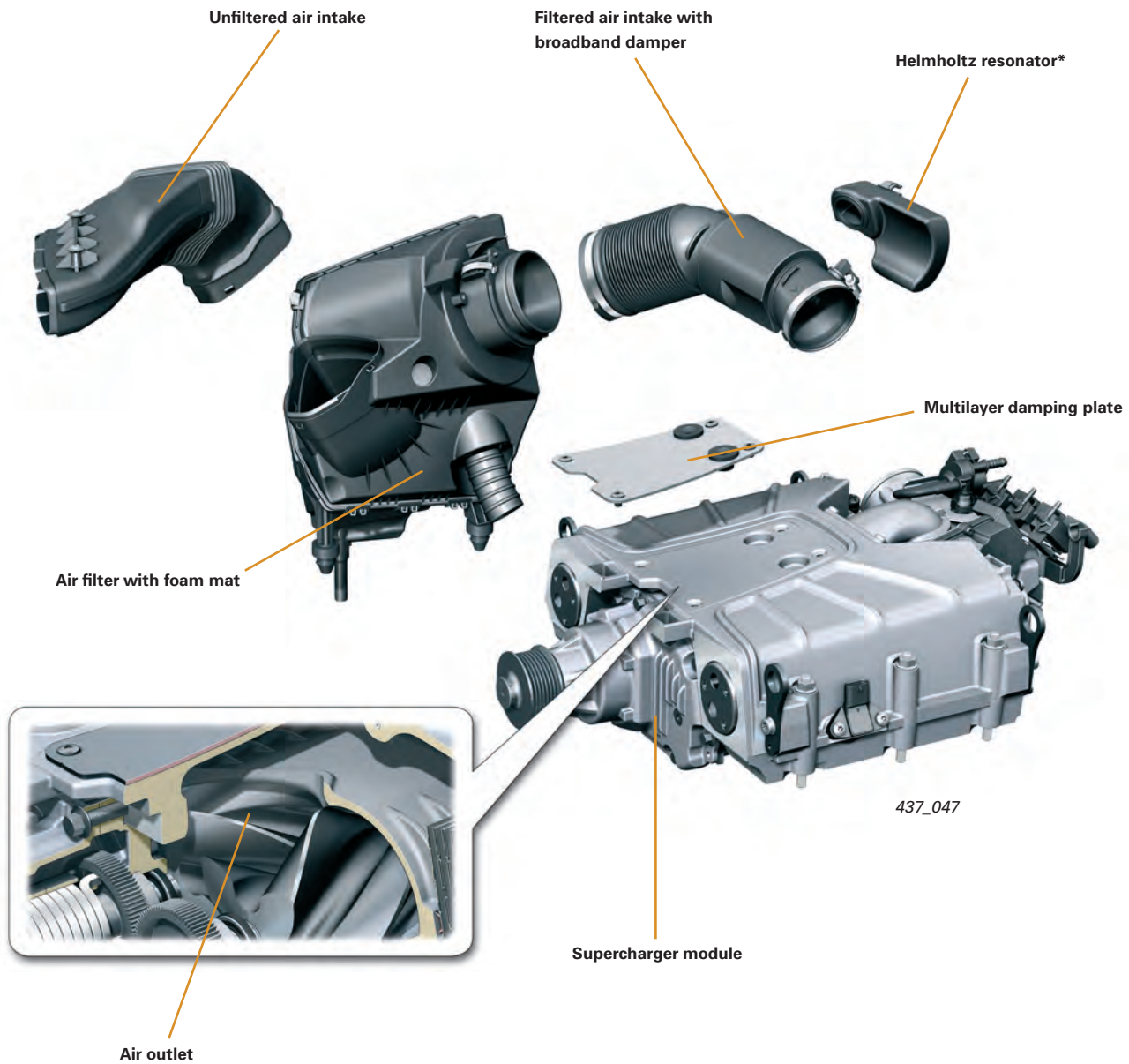


Air Supply

Soundproofing

One of the development goals was to keep the characteristic sound of the Roots blower to a minimum. This was achieved by modifying the design of the housing. A multilayer damping plate reduces noise at the gas outlet on the Roots blower.

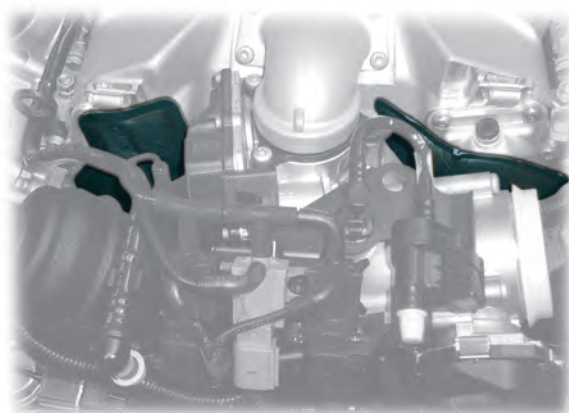
Noise is also reduced by modifications to the intake (see figure). Insulating mats positioned around and below the supercharger module provide additional soundproofing.



Insulating mats

Multiple insulating mats are positioned between the supercharger module and the cylinder head and block.

They direct the noise produced by the Roots blower downward. Two small insulating inserts are located on the back of the supercharger module (see adjacent figure).



437_031

Additional insulating mats are located below the supercharger module inside the V shaped area between the cylinder banks.

A larger mat is positioned between the two intake manifolds, and there are two narrower insulating mats at the sides between the intake manifolds and the cylinder heads.



437_032

The adjacent figure shows the insulating mats installed between the supercharger module and the cylinder head or block.



437_033

Cooling System

Cooling circuit

There are two different types of cooling circuits for the Audi A6 with the 3.0l V6 TFSI engine (they are market dependent).

The adjacent figure shows a version with preheater and after run coolant pump V51 (for super-hot climates, PR No.: 8z9).

Another electrically driven coolant pump is the charge air cooling pump V188, which is used in the low temperature circuit of the intercooler.

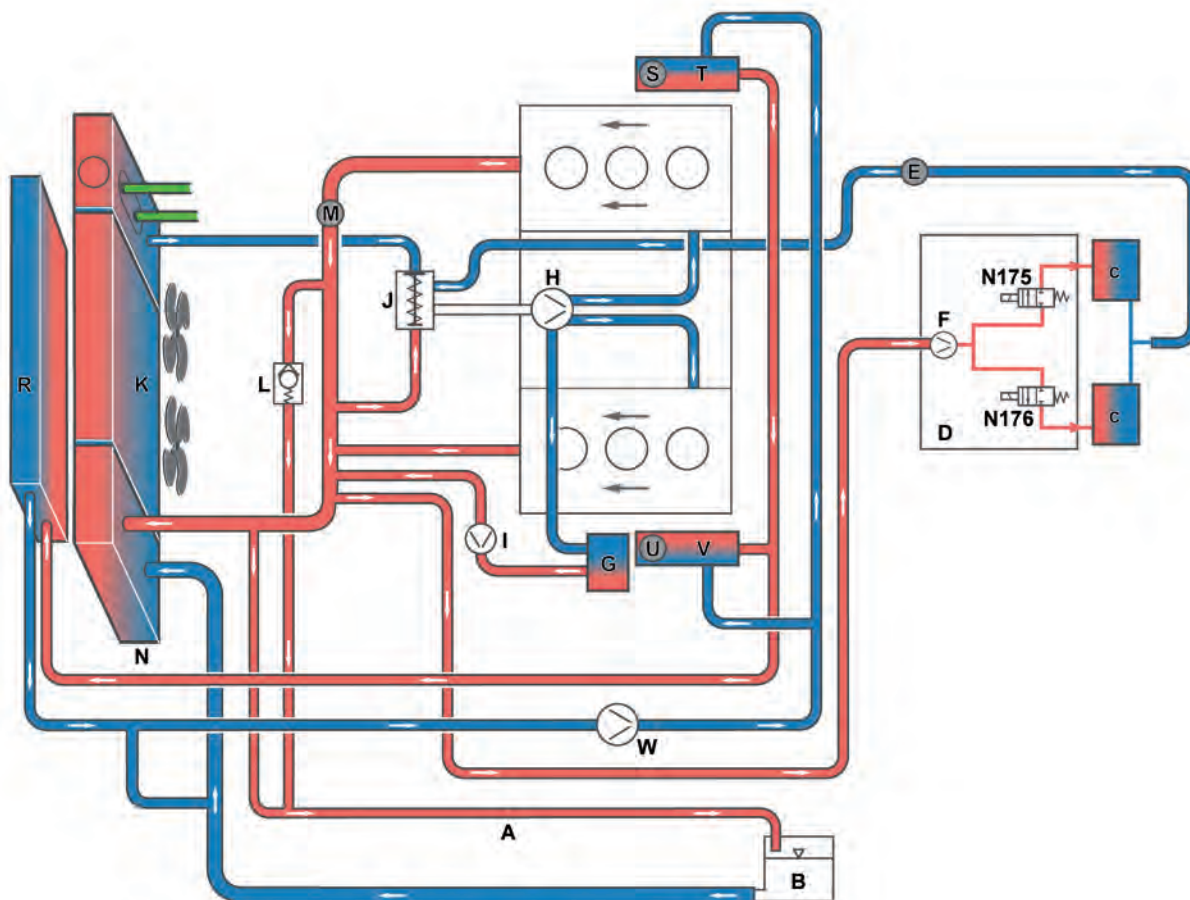
However, both circuits are interconnected and share a common coolant expansion tank.

Note



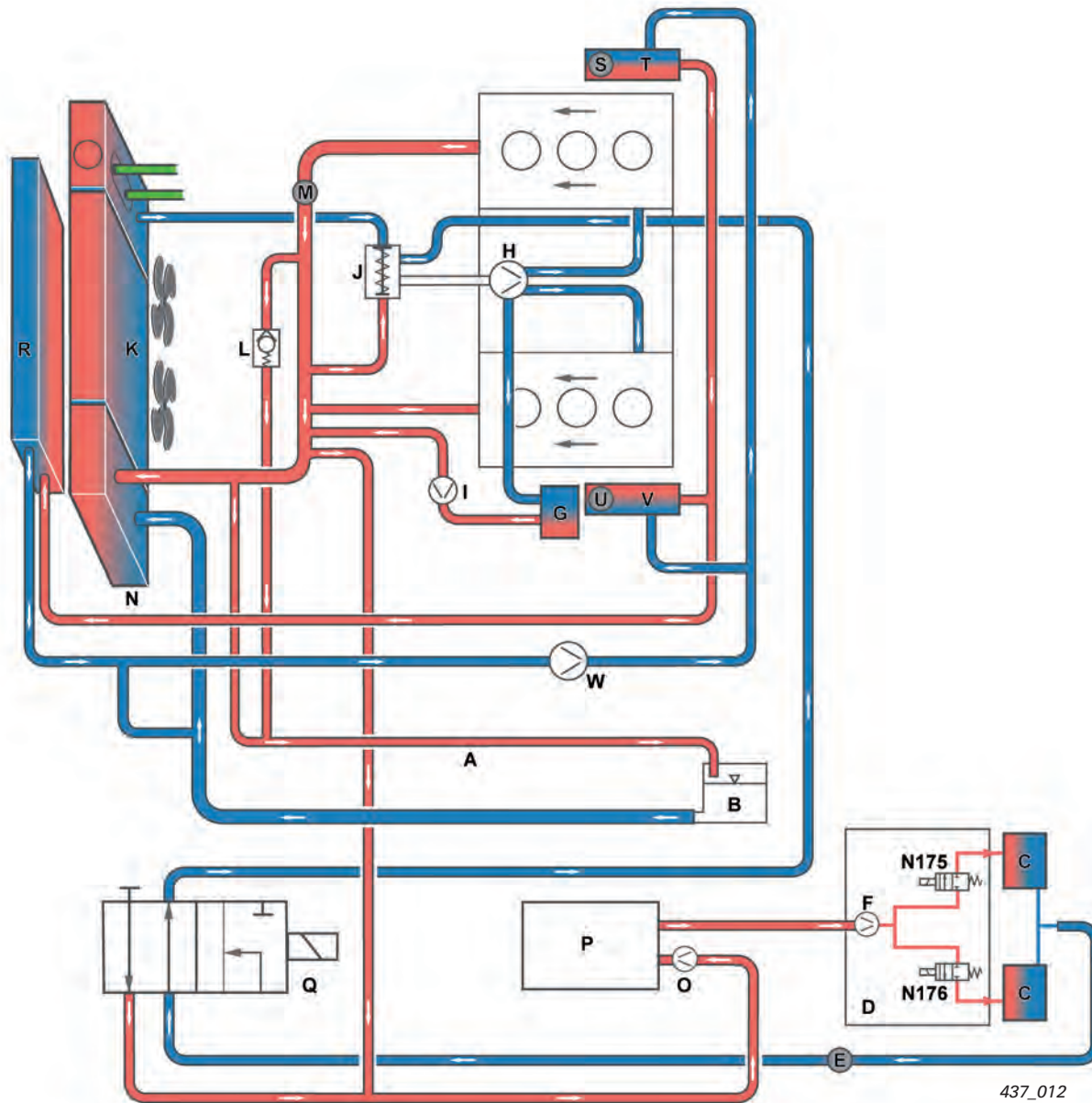
Please refer to the instructions for filling and venting the coolant system in the relevant service literature.

Cooling circuit without preheater



437_013

Cooling circuit with preheater



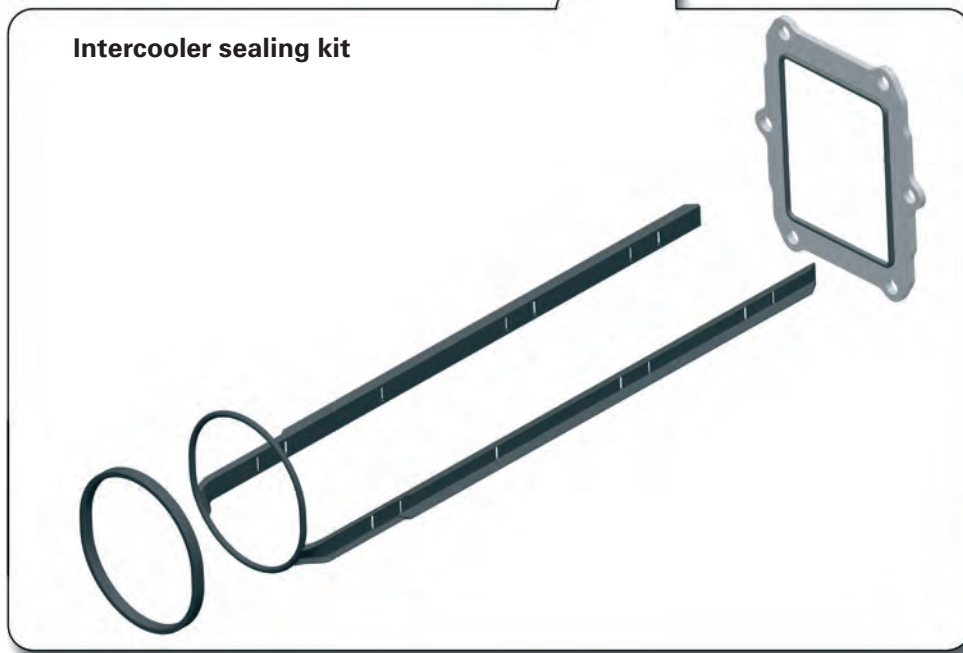
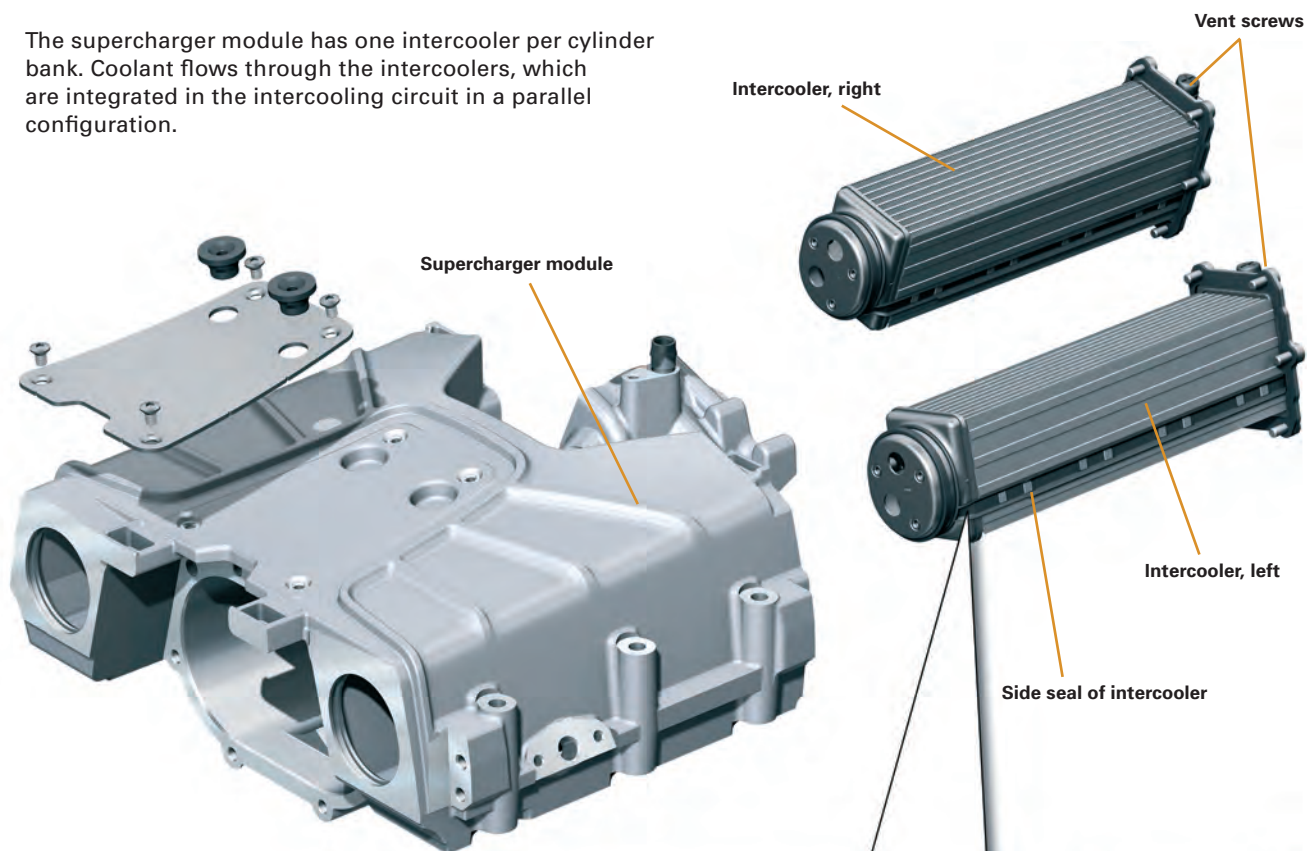
Legend:

- | | | | |
|---|---|------|------------------------------------|
| A | Vent line | N | ATF cooler |
| B | Expansion tank | N175 | Left heat regulating valve |
| C | Heat exchanger | N176 | Right heat regulating valve |
| D | Pump/valve unit (N175/N176 and V50) | O | Recirculation pump |
| E | Vent screw | P | Pre-heater |
| F | Coolant circulation pump V50 | Q | Heater coolant shut-off valve N279 |
| G | Engine oil cooler | R | Auxiliary cooler, front |
| H | Coolant pump | S | Vent screw |
| I | Coolant run-on pump (hot climates only) | T | Intercooler, right |
| J | Coolant thermostat | U | Vent screw |
| K | Radiator | V | Intercooler, left |
| L | Non-return valve | W | Intercooling pump V188 |
| M | Coolant temperature sender G62 | | |

Cooling System

Charge air cooling (intercooling)

The supercharger module has one intercooler per cylinder bank. Coolant flows through the intercoolers, which are integrated in the intercooling circuit in a parallel configuration.



437_045

Note

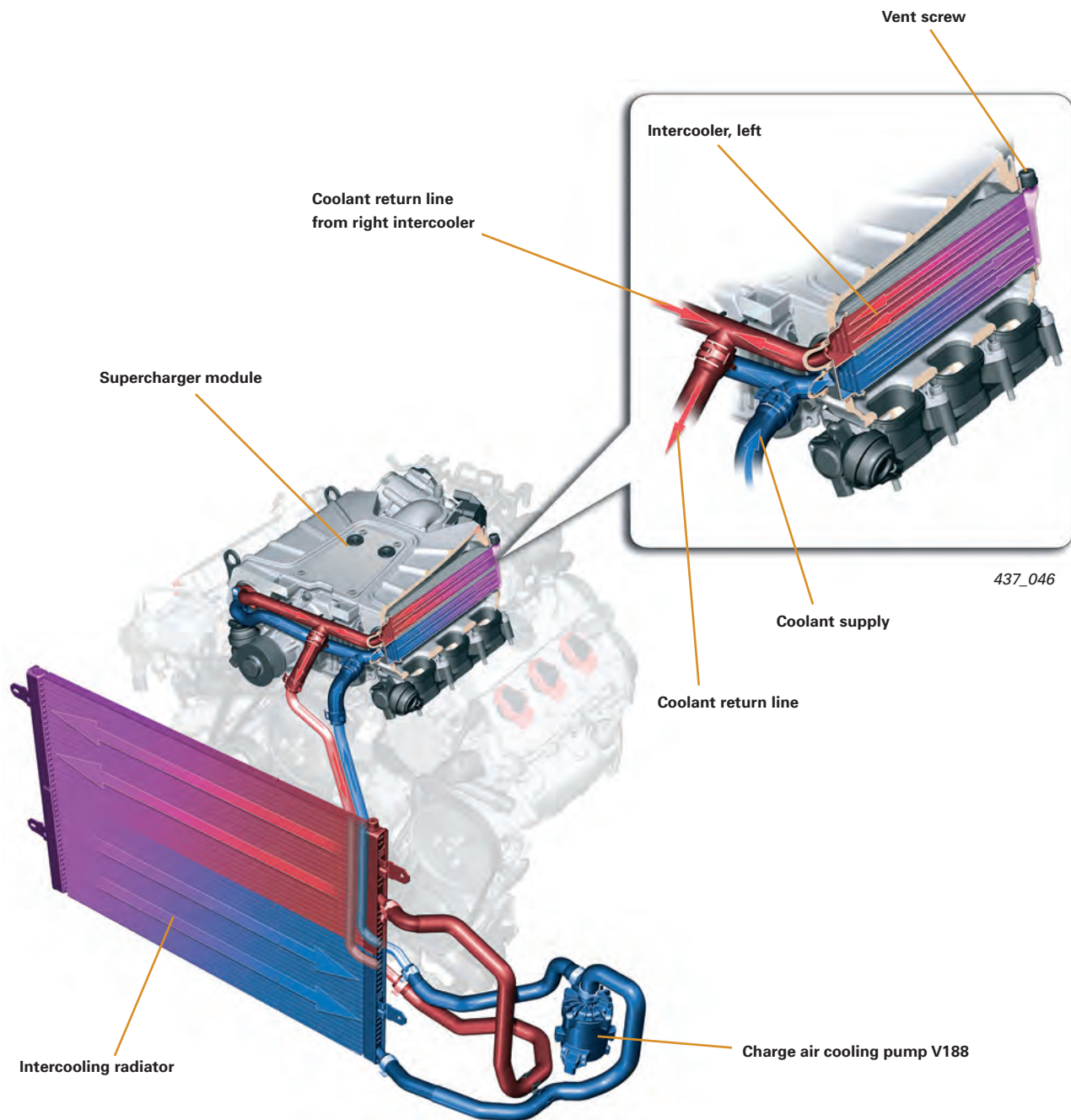


The intercooler must be installed and removed with great care. Follow the instructions given in the Electronic Service Information.

Intercooling circuit

The intercooling circuit is a cooling circuit which is separate from the main cooling circuit. However, both circuits are interconnected and share a common coolant expansion tank.

The temperature level within the intercooling circuit is usually lower than within the primary circuit.



Cooling System

Charge air cooling pump V188

The charge air cooling pump V188 is an electrically driven coolant pump. It pumps the heated coolant from the intercooler inside the supercharger module to the low-temperature cooler. The lower-temperature cooler is integrated in the cooling unit at the front end of the vehicle (in the direction of travel upstream of the radiator).

The pump is close coupled to the oil cooler at the front left of the engine compartment.

The pump is configured as a centrifugal pump. A centrifugal pump is not self-priming, and must not be allowed to run dry or the pump bearings could overheat.

The following subassemblies are integrated in the pump module:

- Centrifugal pump
- Electric motor
- Electronic control module

The electrical connection of the pump has three pins:

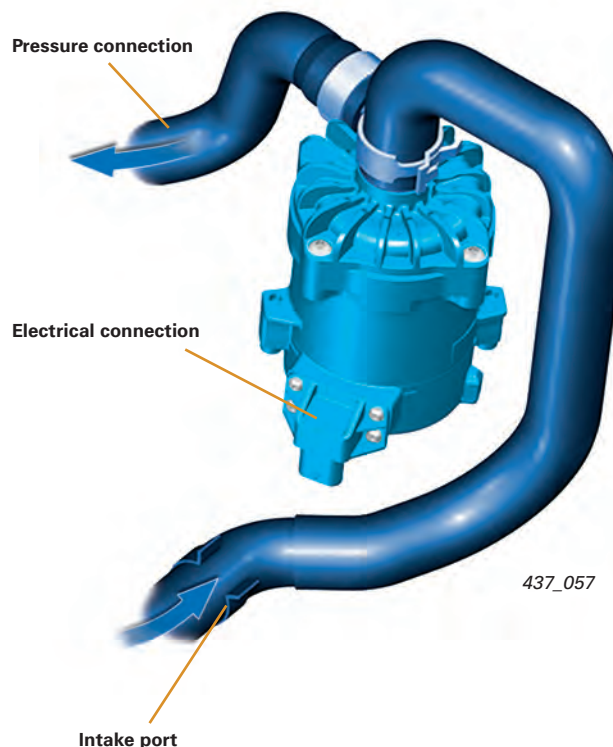
- Battery voltage from the motronic engine control module J271
- PWM signal*
- Terminal 31

How the pump control unit works

The pump is activated according to the temperature and pressure downstream of the intercooler, both of which are read from a map stored in the engine control module. The pump begins to run at a pressure of 1300 mbar or a coolant temperature of 122 °F (50 °C).

The pump is activated by a PWM signal generated by the engine control module. The pump electronics calculate the required pump speed from this signal and will activate the electric motor.

If the pump is operating correctly, the pump electronics feed the current pump speed back to the engine control module. This process repeats itself cyclically throughout the duration of pump operation.



Effects of failure

If the pump electronics detect a fault, the PWM signal will be altered. The modified signal is evaluated by the engine control module, which initiates a response corresponding to the nature of the fault.

If a fault is found, the fault is stored in the fault memory of the engine control module.

The loss of power due to failure of the pump will only be noticeable when the throttle is wide open. Exhaust emissions are not affected, and no warning lamp is activated.

If the pump fails, no substitute response is initiated in the engine control module. However, the charge air temperature is monitored. In the event of excessively high charge air temperature, engine output will be reduced.

If the signal line to the pump is broken or if a short circuit to positive occurs in the signal line, the pump will enter an emergency mode delivering 100 % output. If a short circuit to ground occurs on the signal line, the pump will stop.

Fault identification

If faults are found, the system will attempt to protect the pump either by reducing its speed or shutting it off.

Possibilities for diagnosis during servicing

The following possibilities for diagnosis are available:

- Read out fault memory in engine control module
- Guided Fault Finding function (test plan)
- Measuring value block 109 (Audi A6)
- Actuator test

During the actuator test, various pump speeds are activated and evaluated by the engine control module. The actuator test must not be interrupted.

The table below shows possible faults and their effects.

Faults detected by the pump	Effects
Dry-running due to low coolant level (speed higher than expected)	Speed reduction to 80 % (max. 15 min)
Low coolant level >15 min	Pump is shut down
Overtemperature	Speed is reduced in two steps, first to 80 % and then to 50 %
Undertemperature (excessively cold coolant and high viscosity* increase current draw)	Speed is reduced in two steps, first to 80 % and then to 50 %
Overvoltage	If the voltage is > 20 V, the pump will be shut down as long as overvoltage is present.
Rotor lockup	The pump is shut down. It attempts to work itself free.
Temperature of the pump electronics > 160 °C	The pump is shut down as long as the overtemperature is present.

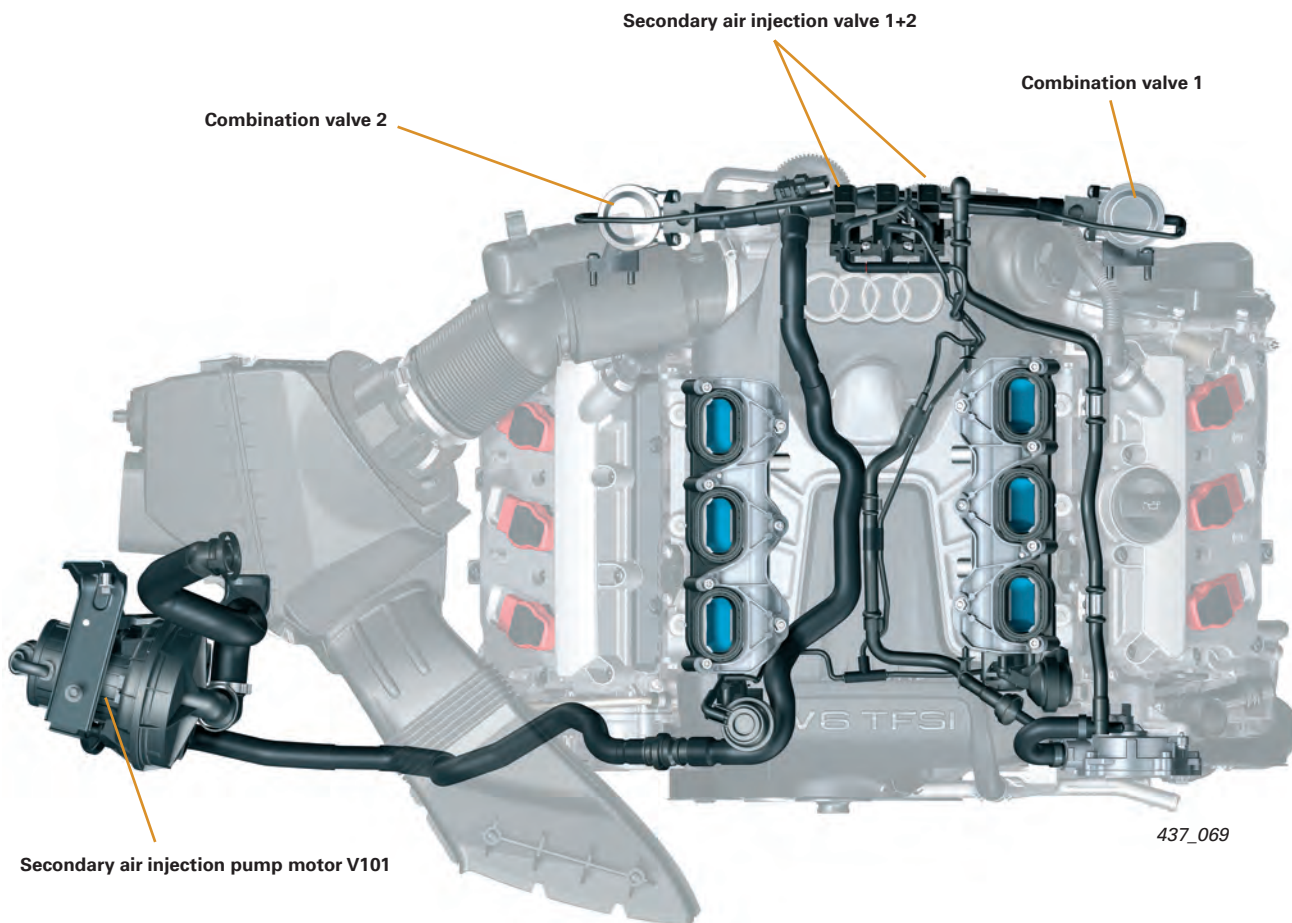
Exhaust Emission Treatment

Secondary air system

A secondary air system is used to ensure compliance with the EU V and ULEV II exhaust emission standards.

It facilitates rapid heating of the catalytic converters and reduces exhaust emissions by injecting air into the exhaust line downstream of the exhaust valves for a defined period of time after the engine is cold-started.

The unburned hydrocarbons and carbon monoxide contained in the exhaust gas or accumulated in the catalytic converter will then react with the oxygen in the air. Due to the heat released in this process, the catalytic converter reaches its light-off temperature* more quickly.



Differences to previously used systems:

- The system uses two electrical changeover valves to comply with the EU V exhaust emission standard. Previously, both combination valves were activated by a secondary air injection solenoid valve N112
- The system that is used to comply with the ULEV II exhaust emission standard also has a pressure sensor - the G609. It is integrated at the branch in the secondary air line to the cylinder banks.

Exhaust Emission Treatment

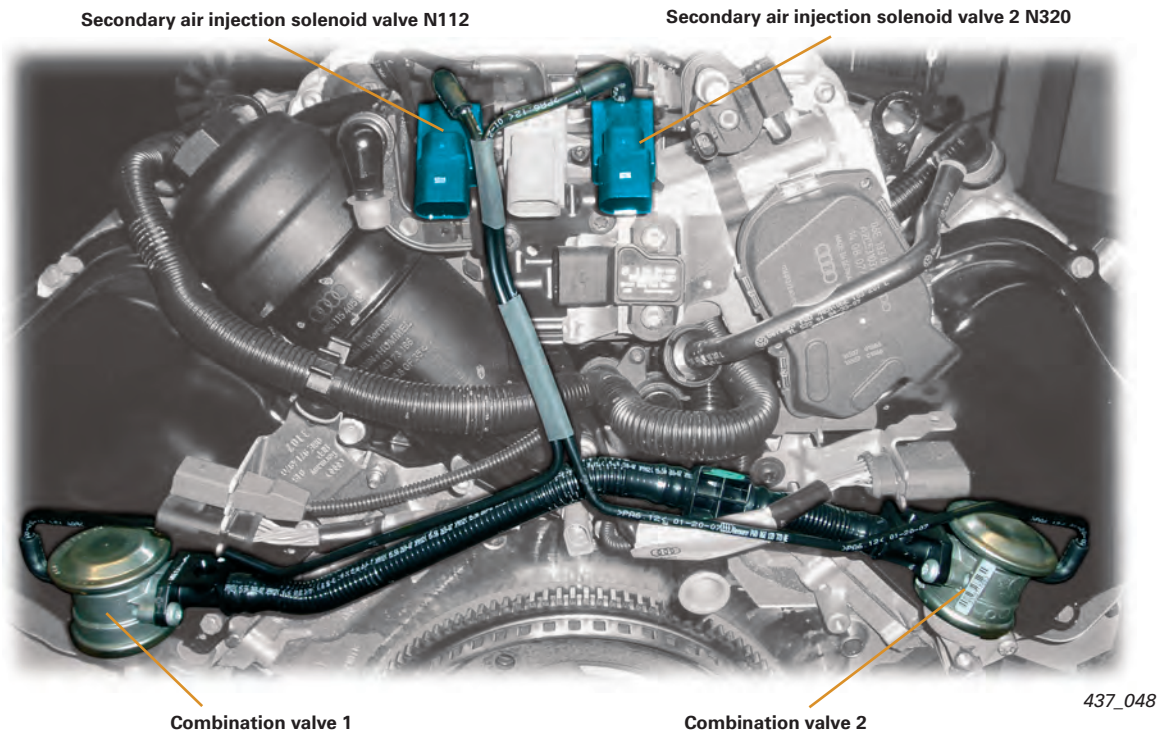
Secondary air injection valves

The two secondary air injection valves for activating the two combination valves are located on the back of the motor.

They are activated electrically by the engine control module to turn the vacuum on and off. A partial vacuum is supplied by the mechanically driven vacuum pump.

Data bus

If the system malfunctions, the exhaust emission limits can be exceeded very quickly. The limit value stipulated by the exhaust emission standard must not be exceeded by more than a factor of 1.5:1. For this reason, the system is subject to mandatory inspection



Note



The connectors and hoses of the secondary air injection valves must not be interchanged or faults can occur in the system.

Testing the system on engines compliant with the EU V exhaust emission standard

Oxygen sensor based secondary air diagnostics

This function is used for testing systems on engines classified as compliant with the EU IV exhaust emission standard.

The secondary air mass is computed by the engine control module on the basis of the changing oxygen content during the secondary air injection phase. However, this diagnosis is not made during normal secondary air operation as the oxygen sensors reach their operating temperature too late. The system is activated separately for diagnostic purposes and checked in several phases.

Measurement phase:

The secondary air pump is activated and the secondary air valves (combination valves) are opened. The engine control module evaluates the signals generated by the oxygen sensors and compares them with the threshold values. If the threshold values are not achieved, a diagnostic trouble code is set.

Offset phase:

After the secondary air pump is shut off, the quality of the pilot air-fuel mixture is evaluated. If the determined value deviates excessively from the nominal value, the secondary air diagnosis will be rejected. A faulty drive cycle would be assumed.

Exhaust Emission Treatment

Testing the system on engines compliant with the ULEV exhaust emission standard (North America)

The California Air Resource Board (CARB) requires that the secondary air system be tested during the heat-up phase of the catalytic converter. However, the oxygen sensors do not reach their operating temperature fast enough for this purpose. This is why a pressure sensor (secondary air injection sensor -1 G609) is used for making the diagnosis. The "pressure based secondary air diagnostics" function is used.

In this system, the signal from G609 is evaluated in the engine control module. The injected air quantity is determined from the pressure level. Restricted flow, e.g. ingress of dirt into the system downstream of the pressure sensor, causes the pressure level to increase. Restricted flow upstream of the pressure sensor or a leak in the system will cause the pressure level to decrease.

The pressure based secondary air diagnosis process

Phase 0

The control unit is initialized at "ignition On". The signal from the secondary air injection sensor -1 G609 is saved and compared with the signals generated by the ambient pressure sensor and the intake manifold pressure sensor.

Phase 1

When the secondary air mass is injected, the pressure in the secondary air system also increases (to approx. 90 mbar). The rise in pressure is determined by secondary air injection sensor -1 G609. The analog signal generated by G609 is evaluated by the engine control module. If it exceeds the set limit value (ex. due to a blockage in the system or a leak), a fault will be generated. If a fault repeats itself, the engine electronics warning lamp will be activated. If no fault occurs during phase 1, the diagnostic process is continued.

Phases 2.1 and 2.2

During these two phases, a secondary air valve (combination valve) is opened and the other valve closed alternately for a short period of time. The values are compared with the value saved in phase 0. Blockages or leaks can be determined for each cylinder bank. Even leaks downstream of the combination valves can be identified from the pressure amplitudes.

Phase 2

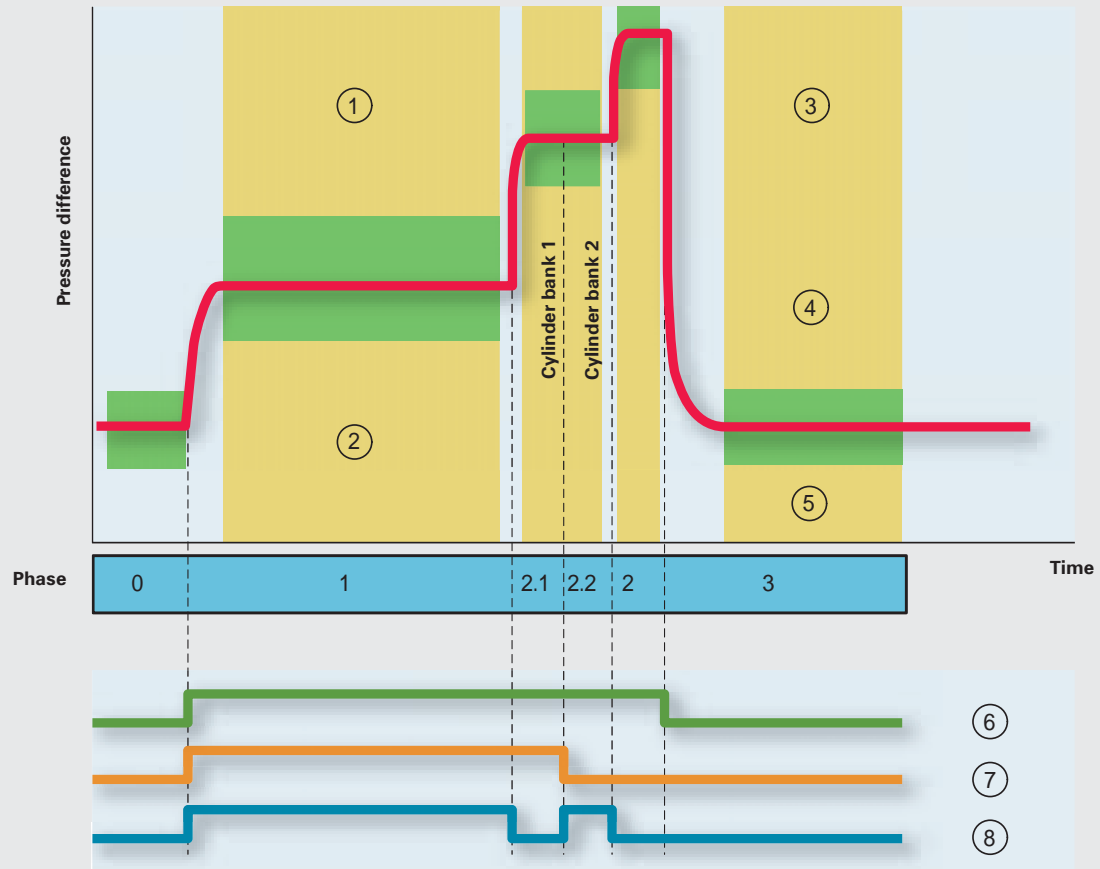
During this phase, both combination valves are closed and checked for leaks. This allows evaluation of the secondary air injection sensor -1 G609 value.

Phase 3

The secondary air pump is shut off and both combination valves are closed. The difference between the actual measured pressure and the stored value determined in phase 0 is evaluated. A faulty secondary air pump (does not shut off) or faulty secondary air injection sensor -1- G609 can be detected.

Exhaust Emission Treatment

Phases of the secondary air diagnosis process

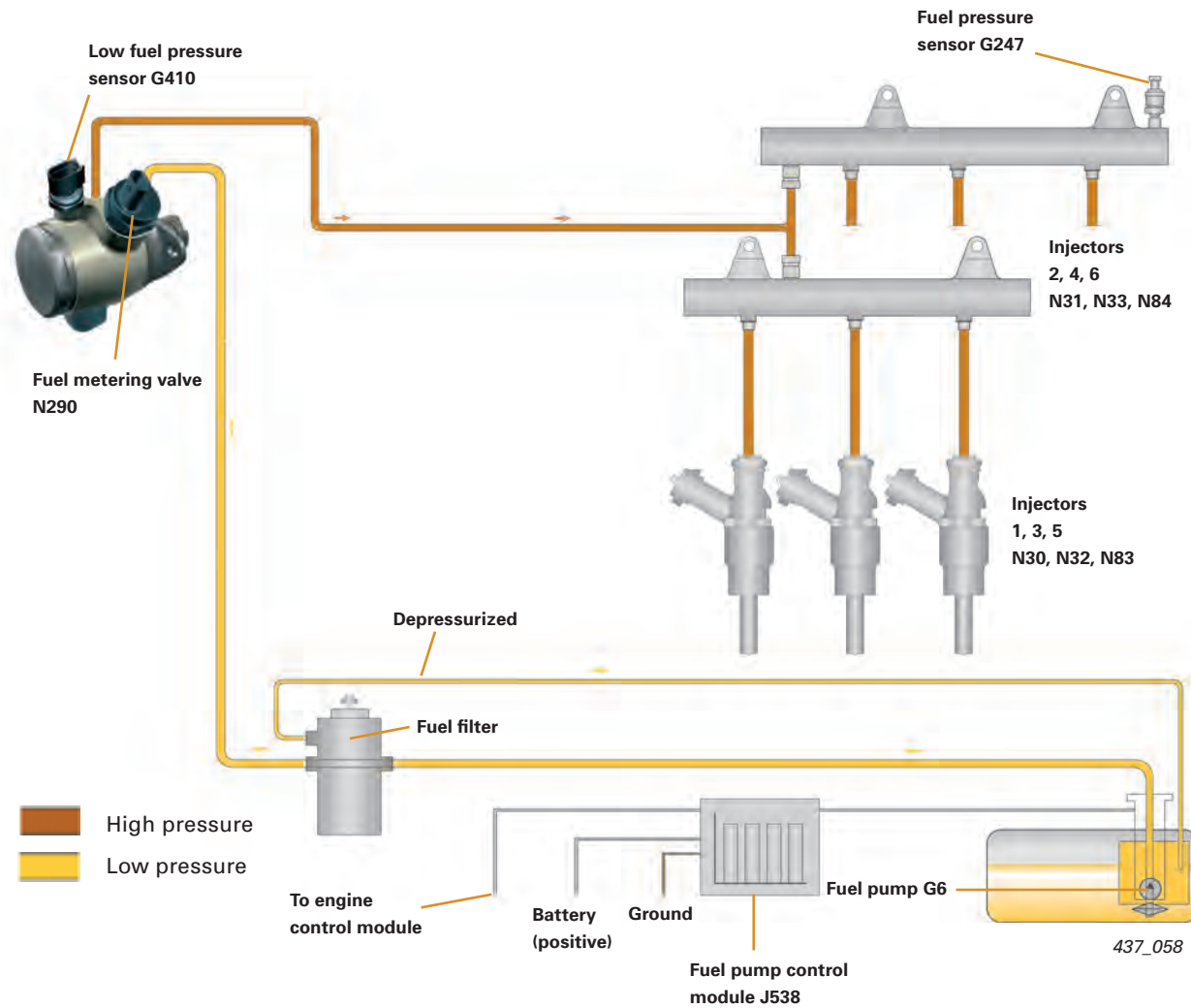


- ① Blockage (restricted flow)
- ② Reduced pumping capacity or a blockage upstream of secondary air pressure sender -1 G609
- ③ Secondary air pump running (does not shut off)
- ④ Faulty pressure sensor
- ⑤ Faulty pressure sensor
- ⑥ Secondary air pump running
- ⑦ Combination valve 1 open
- ⑧ Combination valve 2 open

Fuel System

Overview

Like the 3.2l V6 FSI engine with Audi valvelift system, the 3.0l V6 TFSI engine uses a supply-on-demand fuel system.



High-pressure fuel pump

A 3rd generation pump is used as the fuel pump. The high-pressure fuel pump is manufactured by Hitachi.



Injectors

The injectors developed in conjunction with Continental (formerly Siemens VDO) have been modified for use in this engine.

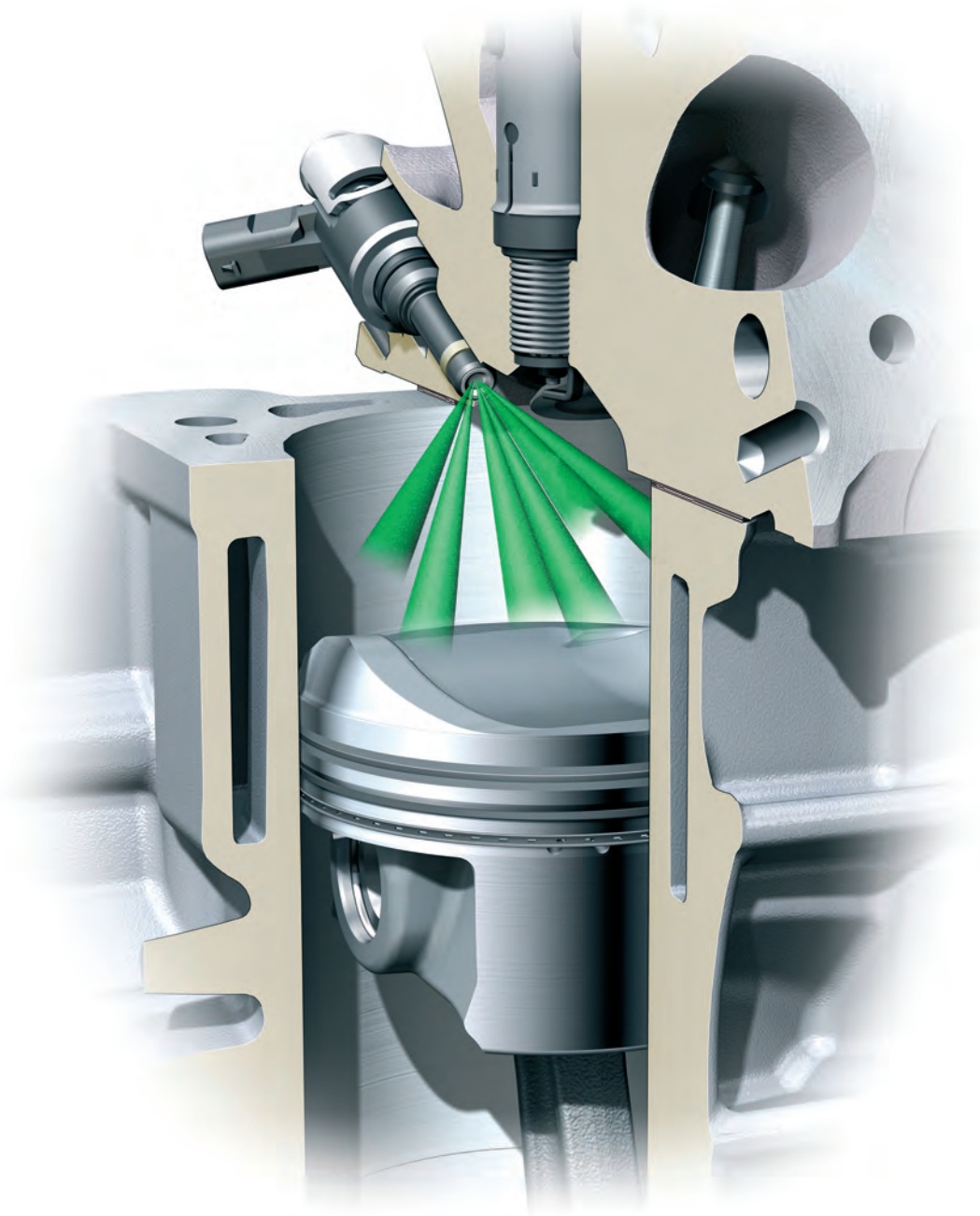
The six-hole nozzles were designed to ensure optimal homogenization of the fuel-air mixture in any operating state of the engine.

The flow rate has also been significantly increased to reduce the duration of the injection cycle (less than 4 milliseconds at full throttle).

This allows the injection time window to be configured so that the injection timing is neither very early (fuel deposition on piston) nor very late (short mixture formation time until ignition).

The new injectors are a key factor for:

- Reduction of hydrocarbon emissions
- Increased rate of combustion
- Reduced tendency to knock



437_024

Engine Management

System overview (Audi A6 of model year 2009)

Sensors

Charge air pressure sensor G31, G447
Intake air temperature sensor G72, G430

Manifold absolute pressure sensor G71
Intake air temperature sensor G42

Secondary air injection sensor -1 G609
(for ULEV vehicles only)

Engine speed sensor G28

Throttle valve control module J338
Throttle drive angle sensor G188, G187

Control valve control module J808
Control valve position sensor G584

Camshaft position sensor G40 (intake, bank 1)
Camshaft position sensor 2 G163 (intake, bank 2)
Camshaft position sensor 3 G300 (exhaust, bank 1)
Camshaft position sensor 4 G301 (exhaust, bank 2)

Throttle position sensor G79
Accelerator pedal position sensor 2 G185
Clutch position sensor G476

Brake light switch F

Fuel pressure sensor G247
Low fuel pressure sensor G410

Knock sensor G61 (bank 1)
Knock sensor G66 (bank 2)

Fuel gauge sensor G
Fuel level sensor -2- G169

Oil pressure switch F22

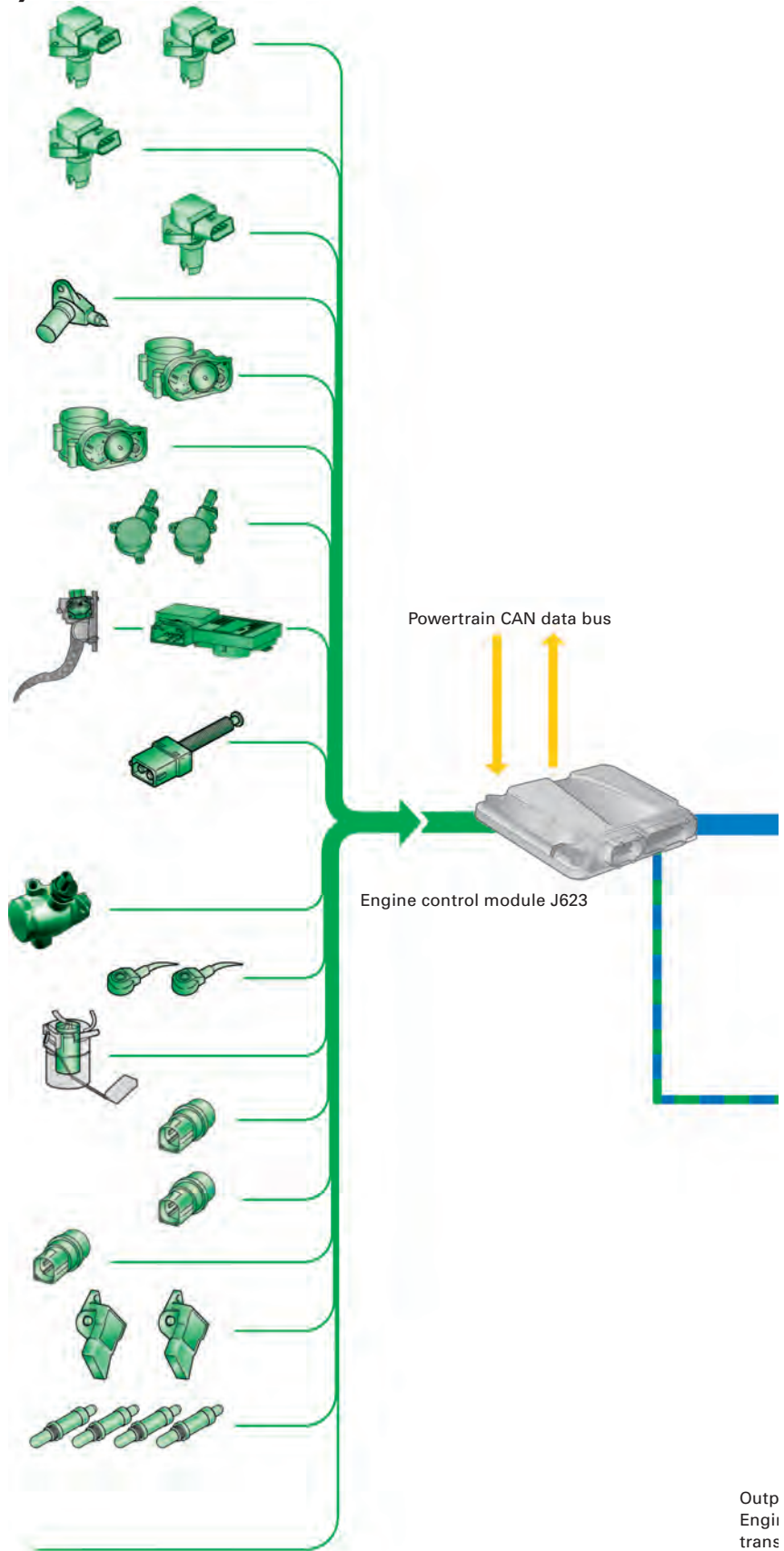
Reduced oil pressure switch F378

Engine coolant temperature sensor G62

Intake manifold runner position sensor G336 (bank 1)
Intake manifold runner position sensor 2 G512 (bank 2)

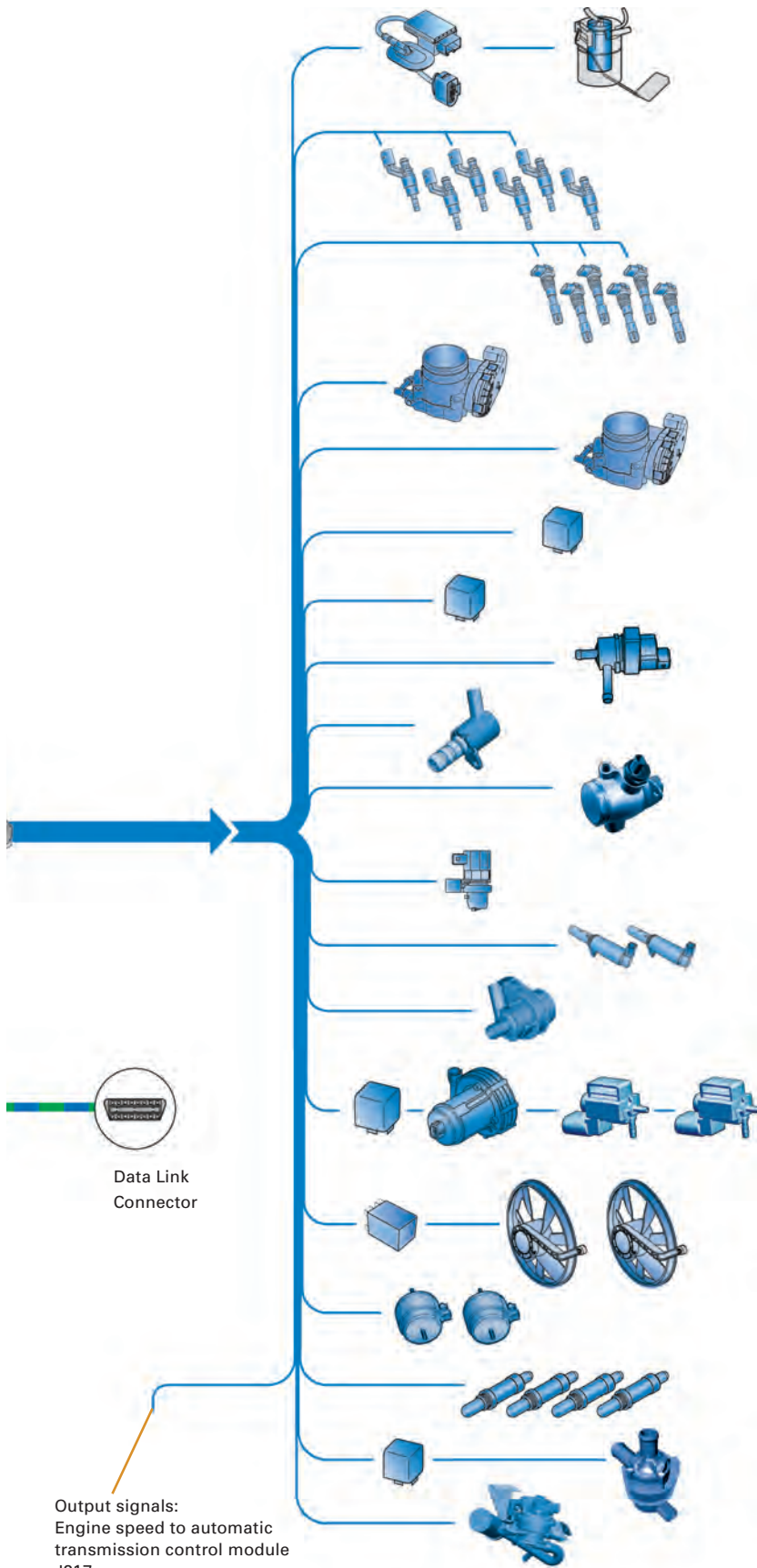
Heated oxygen sensor G39
G108 (bank 2)
Oxygen sensor behind three-way catalytic converter G130
G131 (bank 2)

Auxiliary signals:
J393 Comfort system central control module
E45 Cruise control switch
J364 Auxiliary heater control module
J695 Starter relay 2
J53 Starter relay
J518 Access/start authorization control module



Output
Engin
trans
J217
(vehi
gear)

Engine Management



Actuators

Fuel pump control module J538
Transfer fuel pump (FP) G6

Fuel Injectors for cylinders 1 – 6
N30 – 33 and N83, N84

Ignition coils for cylinders 1 – 6
N70, N127, N291, N292, N323, N324

Throttle valve control module J338
Throttle drive (for electronic power control) G186

Control valve control module J808
Control flap adjustment motor V380

Intensive washer pump relay J75

Motronic engine control module (ECM)
power supply relay J271

Evaporative Emission (EVAP) Canister Purge
Regulator Valve N80

Oil pressure regulation valve N428

Fuel metering valve N290

Intake manifold runner control
(IMCR) valve N316

Camshaft adjustment valve 1+2
N205 (intake, bank 1), N208 (intake, bank 2)

Change air cooling pump V188

Secondary air injection pump relay J299
Secondary air injection pump motor V101
Secondary air injection solenoid valve 1+2 N112, N320

Coolant fan control (FC) control module J293
Coolant fan V7
Coolant fan 2 V177

Electro/hydraulic engine mount solenoid valves N144, N145

Oxygen sensor heater Z19, Z28, Z29, Z30

Auxiliary engine coolant pump relay J496
After run coolant pump V51

Leak detection pump (LDP) V144
(vehicles with fuel system diagnostic pump)

Output signals:
Engine speed to automatic
transmission control module
J217
(vehicles with automatic
gearbox 01J only)

437_035

Engine Management

Engine control module

The Simos 8 engine control module, jointly developed with Audi and Continental (formerly Siemens VDO) is used with this engine.

Operating modes

The FSI injection process is configured for homogeneous mixture formation.

The complete fuel charge is injected into the combustion chamber during the intake phase.

This does not include the engine start and warm-up phases, during which the following operating modes are used.



437_056

1. Engine start

During starting, a high-pressure stratified start mode is used.

For this purpose, the fuel pressure is increased to 45 – 100 bar. The fuel pressure level is dependent on the engine temperature. At low temperatures, the fuel pressure is higher.

High-pressure stratified starting takes place at coolant temperatures between -11°F (-24 °C) and at operating temperature 194° F (90 °C).

At coolant temperatures below -11°F (-24 °C), starting takes place at low pressure to protect the components. The pressure is identical to the pressure in the electrical fuel pump in the fuel tank.

During the development process, special emphasis was placed on throttle-free load regulation (refer to "Load regulation").

2. Cold start/warm-up phase

During this phase, a dual injection or homogeneous split (HOSP) mode is used.

The total quantity of fuel to be injected is divided into two partial quantities and injected into the combustion chamber at different times. The injection time window is before and after the bottom dead center position of the piston. By the second injection, the intake valves are already closed.

HOSP mode is used in two applications:

– The first application is the "cold start" and is always used. It serves to heat up the catalytic converters and takes place at coolant temperatures between 19°F (-7 °C) and 113°F (45 °C).

– The second application is the "warm-up", which is only used under heavy engine load when the driver requests a high engine output. It serves to optimize engine load and speed, but also to reduce soot emission. The temperature range for this application is between -4°F (-20 °C) and 113°F (45 °C). In this case, the second injection is later than in the cold start phase.

Engine Management

Maintenance work

Maintenance work	Interval
Engine oil replacement interval :	Fixed interval of 10,000 miles (15,000 km) or 12 months (whichever comes first)
Engine oil specifications:	Engine oil to VW standard 502 00 or 504 00
Engine oil filter replacement interval:	at every oil change
Engine oil change quantity (incl. filter):	6.5 liters (6.9 quarts)
Engine oil extraction/drainage:	both are possible
Air filter replacement interval:	55,000 miles (90,000 km)
Fuel filter replacement interval:	Lifetime
Spark plug replacement interval:	55,000 miles (90,000 km) or 6 years (whichever comes first)

Timing gear and ancillary units drive

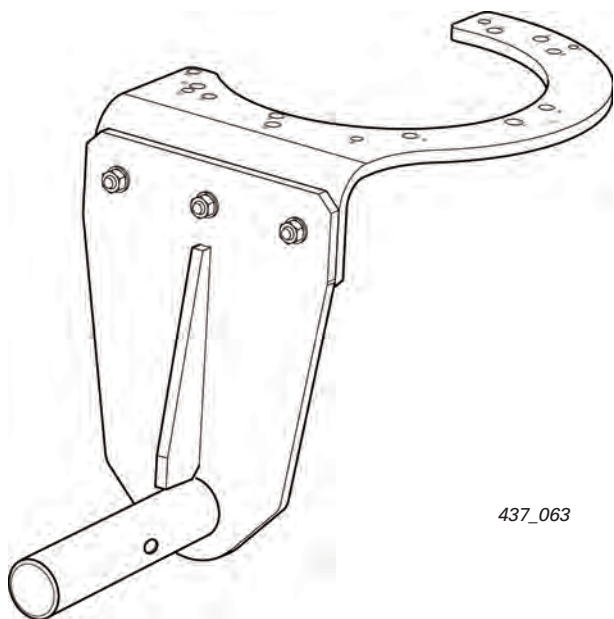
Replacement interval of the ribbed V-belt for all ancillary units except Roots blower:	Lifetime
Replacement interval of the ribbed V-belt for Roots blower:	75,000 miles (120,000 km)
Tensioning systems of both ribbed V-belts:	Lifetime
Timing gear chain replacement interval:	Lifetime
Timing gear chain tensioning system:	Lifetime

Service

Special tools

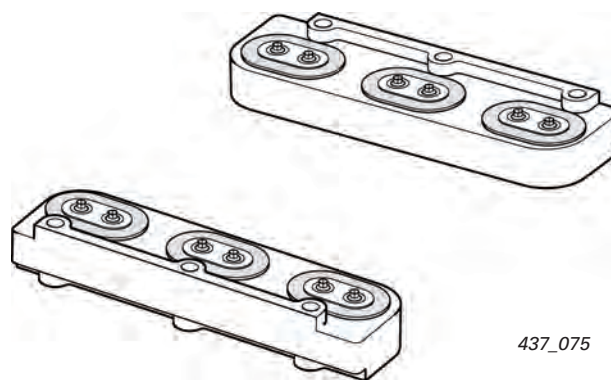


The tools below are for the 3.0l V6 TFSI engine with Roots blower



437_063

T40206/1 Gearbox support plate



437_075

T40206/2 Mount for supercharger module

Glossary

This glossary explains to you all terms written in italics or indicated by an asterisk (*) in this Self-Study Program

Blow-by gases

Blow-by gases are also known as leakage gases. When the engine running, blow-by gases flow from the combustion chamber and past the piston into the crankcase. This is due to the high pressure inside the combustion chamber and the absolutely normal leakage that occurs around the piston rings. Blow-by gases are extracted from the crankcase by the PCV system and re-introduced into the combustion chamber.

Cracked con-rod

This name derives from the manufacturing process. In this process the con-rod shaft and the big end bearing cover are separated from one another by breaking (cracking) them at a pre-determined point. The advantage of this process is that the finished parts fit one another perfectly.

EMC

This abbreviation stands for Electromagnetic Compatibility. It is defined as the ability of electrical and electronic equipment to operate effectively in close proximity without causing mutual interference through unwanted electrical or electromagnetic effects.

Hall sender

The Hall sender (also known as Hall sensor or Hall probe) utilises the Hall effect to measure magnetic fields and currents, and for position sensing. If a Hall sensor is energised with electrical current and placed into a vertical magnetic field, it will supply an output voltage proportional to the product of the magnetic field strength and the electrical current.

Helmholtz resonator

A Helmholtz resonator is an acoustic resonator designed to reduce intake noise. It consists of an air space with a narrow opening to the exterior. The Helmholtz resonator was named after the German physicist Hermann von Helmholtz.

Light-off temperature

The temperature at which the conversion rate of the catalytic converter is 50 %. The light-off temperature is highly relevant to future and current US exhaust emission standards, as they require low emissions even when the engine is cold.

PWM signal

The abbreviation PWM stands for Pulse Width Modulated signal. A PWM signal is a digital signal where one variable (e.g. electrical current) alternates between two values.

The length of the interval between this change-over varies depending on activation level. In this way, it is possible to transmit digital signals.

Split-pin design

Depending on engine type, the crank pin has an offset (also referred to as split pin) due to the V angle or cylinder bank angle. This configuration is necessary to achieve a uniform firing interval.

Valve timing

The term "valve timing" is used to describe the periods during which the valves of an engine are opened or closed. If the angular ranges of the valves are transferred to a pie chart, the result will be the timing diagram of an engine.

Viscosity

An important physical property of liquids is their viscosity. Viscosity is temperature dependent and is a measure of how "thick" a liquid is at different temperatures. The viscosity of oils is specified as a viscosity index.

This index describes the flow behavior of an oil at different temperatures.

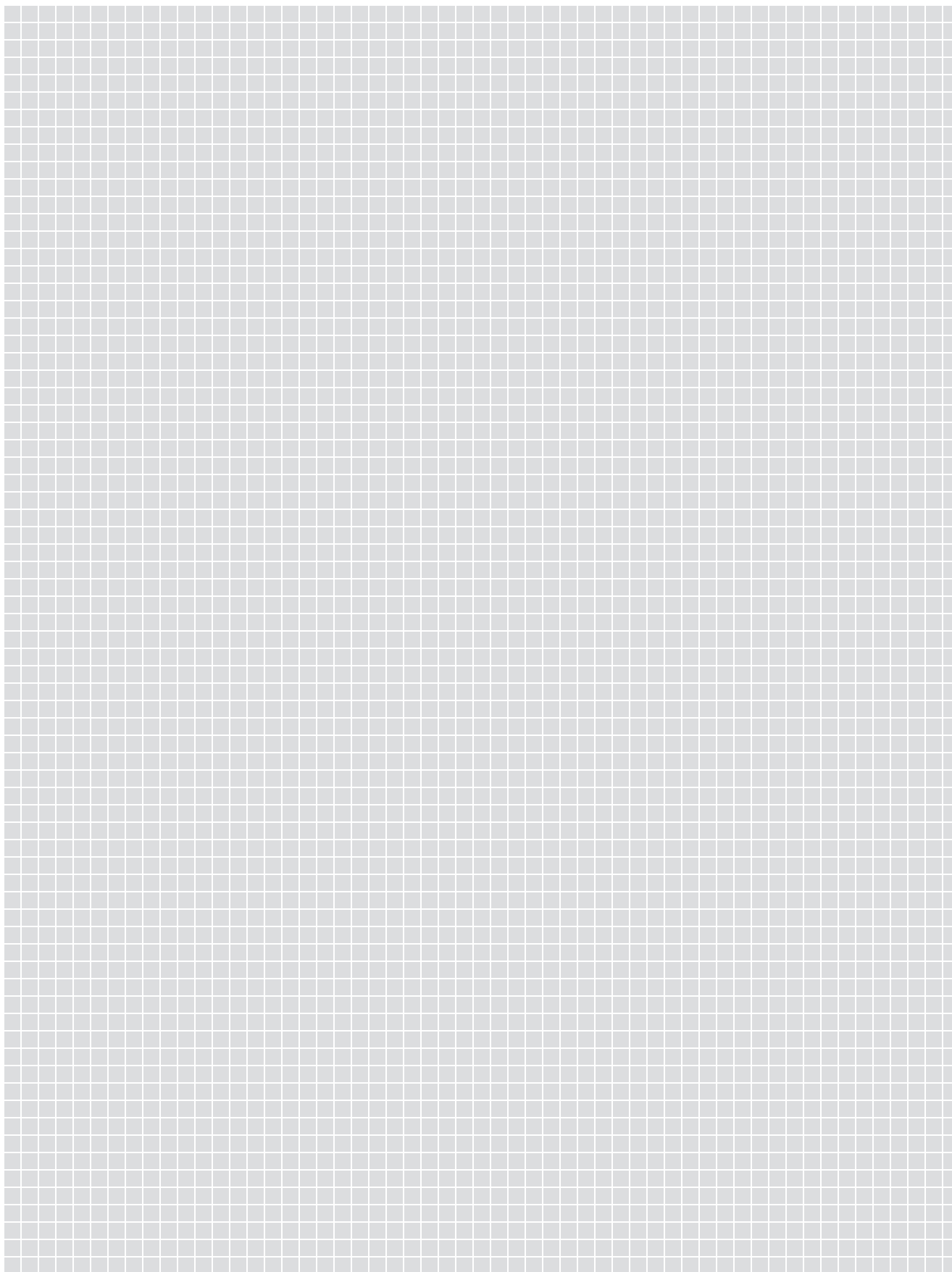
Summary

From the glorious 1930s tradition of motor sport dominated by cars bearing the four-ring badge, the Roots blower is now staging a comeback. The new 3.0l TFSI engine is powerful, extremely quick and ultra-efficient. It is also the new top version in Audi's V6 engine range, and sets impressive benchmarks for fuel economy and clean emissions. The engine is notable for its sporty throttle response, exceptional agility and "bite". It revs up to its 6,500 rpm maximum with playful ease, achieving its rated output of 285 hp at just under 5,000 rpm.

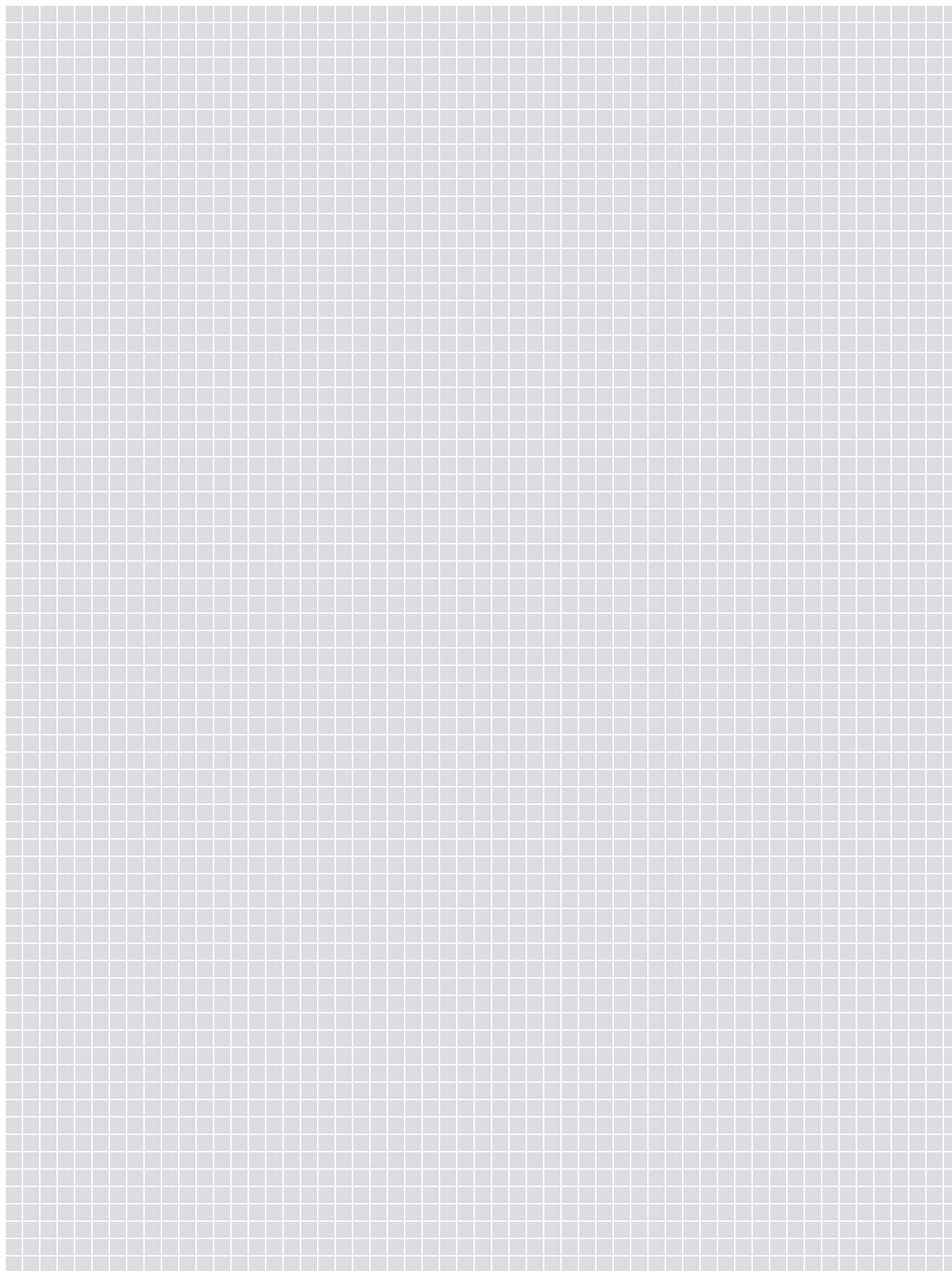
All this has been achieved thanks to an array of refined high-tech features. The crankcase has been adapted to the higher prevailing pressures, and all components have been systematically optimized for minimal friction. Both intake camshafts can be adjusted through 42° of crankshaft angle. In the intake ports, tumble flaps induce a tumbling movement in the incoming air to optimize mixture formation.

The improved fuel system with its new six-hole nozzles have a capability of up to three injections per stroke for future applications. The engine's high compression ratio of 10.5:1 is also a major factor in enhancing efficiency. The direct injection principle is once again the key, because the intensively swirled fuel cools the combustion chamber, reducing the tendency to knock. Inside the Roots blower, two four-vane rotary pistons counter-rotate at a speed of up to 23,000 rpm, delivering 2204 lbs (1,000 kg) of air per hour and forcing it into the combustion chambers at a boost pressure of up to 0.8 bar. Two water-to-air intercoolers integrated in the supercharger module enhance efficiency still further, and much work went in to reducing the noise transmitted by the roots blower.

The new 3.0l TFSI engine will achieve an average fuel consumption of well under 23 MPG in virtually all Audi models with longitudinal engines for which it has been earmarked. As with all Audi innovations, the engine fully embraces the principle of "Vorsprung durch Technik".



Notes



Knowledge Assessment

An on-line Knowledge Assessment (exam) is available for this Self-Study Program.
The Knowledge Assessment may or may not be required for Certification.
You can find this Knowledge Assessment at:
www.accessaudi.com

From the accessaudi.com Homepage:

- Click on the "ACADEMY" Tab.
- Click on the "Academy Site" Link.
- Click on the "CRC Certification" Link.

For Assistance, please call:

**Audi Academy
Certification Resource Center (CRC)
1-877-283-4562
(8:00 a.m. to 8:00 p.m. EST)**

925803

All rights reserved.
Technical specifications
subject to change without
notice.

Audi of America, LLC
2200 Ferdinand Porsche Drive
Herndon, VA 20171